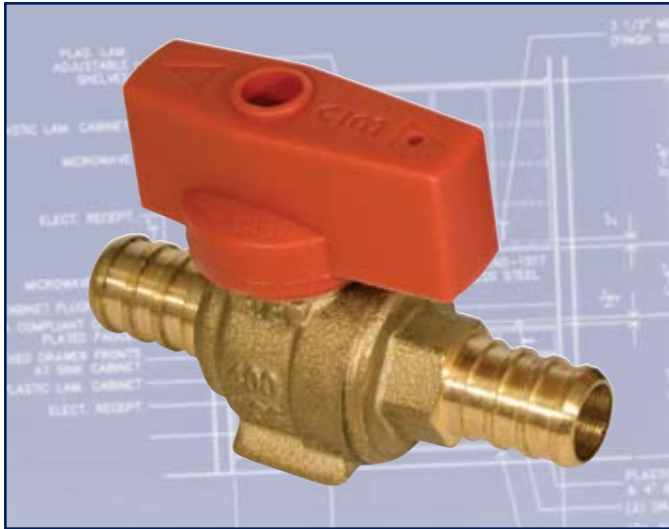


cimPEX Full Port Ball Valve

cim 865.1

PEX x PEX



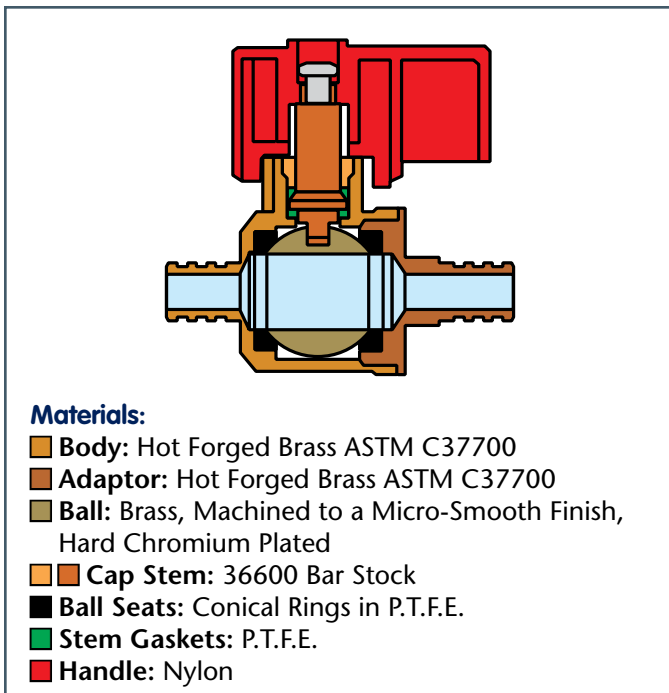
Applications:

The CIM 865.1 CimPEX ball valve is manufactured in accordance with EN ISO 9001 and is designed for use with PEX (cross linked polyethylene) tubing in residential applications including hydronic radiant heating and hot and cold water plumbing systems.

Features:

The CIM 865.1 CimPEX ball valve is a full port ball valve with a blast/impact proof stem. CimPEX ball valves feature stabilizing "feet" on the bottom of the valve body that secure the valve position, preventing strain on the tubing and connections, and allowing for a more professional installation.

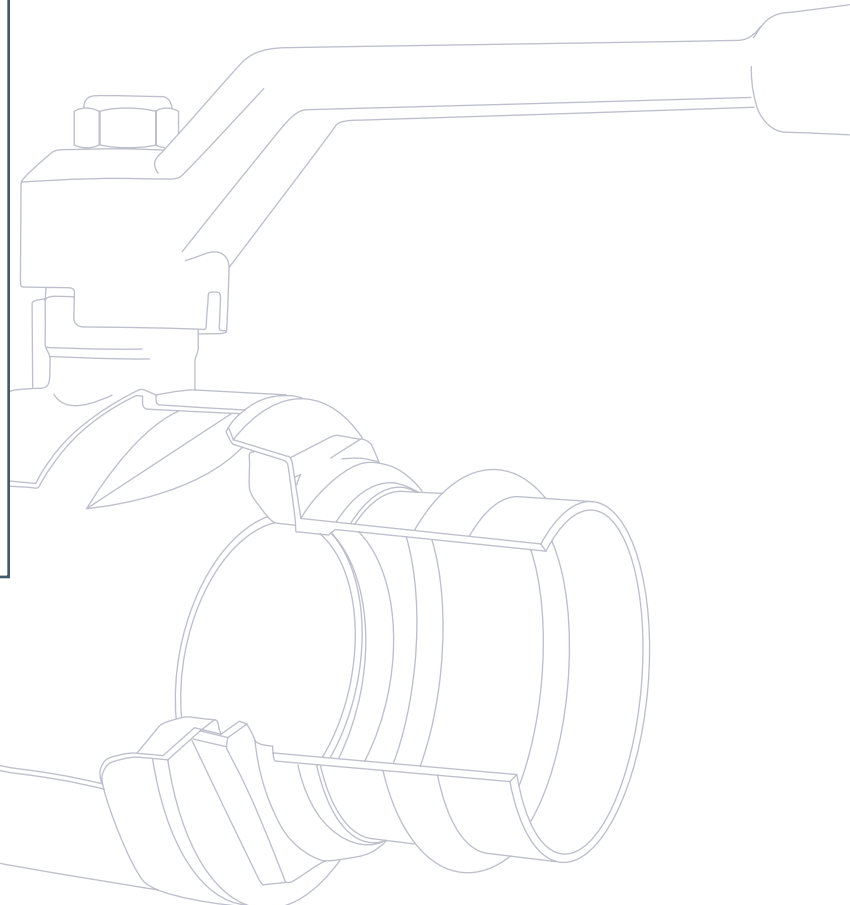
Size	Fast Order No.	Technical ID No.
1/2"	865-04	CIM865-P04NB



Materials:

- **Body:** Hot Forged Brass ASTM C37700
- **Adaptor:** Hot Forged Brass ASTM C37700
- **Ball:** Brass, Machined to a Micro-Smooth Finish, Hard Chromium Plated
- **Cap Stem:** 36600 Bar Stock
- **Ball Seats:** Conical Rings in P.T.F.E.
- **Stem Gaskets:** P.T.F.E.
- **Handle:** Nylon

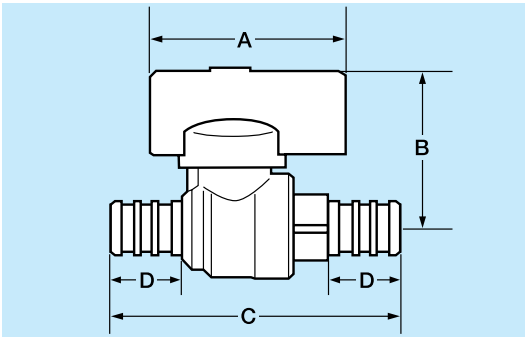
All Cimberio valves qualify for the American Recovery and Reinvestment Act and the Buy American Act.



cimPEX Full Port Ball Valve

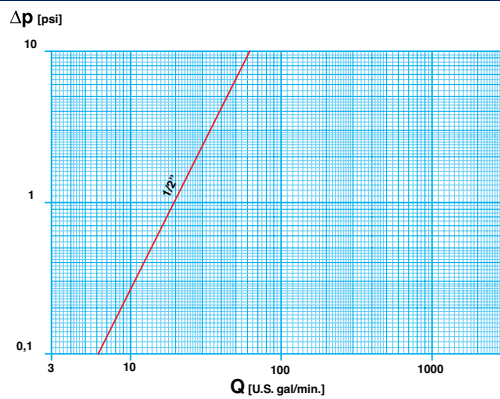
cim 865.1

PEX x PEX

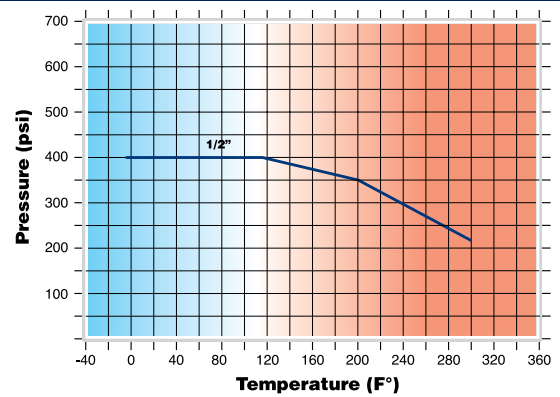


Size	1/2"
Port inch	0.354"
Port mm	9mm
A	1-5/8" 42mm
B	1-5/16" 34mm
C	2-9/16" 66mm
D	5/8" 16mm

FLOW AND PRESSURE DROP



PRESSURE/TEMPERATURE RATINGS



CV CM CS MT

CV: Capacity in "U.S. gal/min" at pressure drop of "1 PSI"

CM: Working Torque in "lb x in"

CS: Starting Torque in "lb x in"

MT: Torque Breaking Point on the Stem in "lb x in"

Element: Water - Temperature: 59.9° F

865.1	SIZE Ø mm Ø inch	1/2" 9 0.354
CV	gal/min	19.7
CM	N x m lb x in	3 27
CS	N x m lb x in	6 53
MT	N x m lb x in	10 89

Working Pressure: 400 PSI

Max. Operating Temperature: Working Limit for Fluids -4° F – 302° F

Test Pressures: According to ISO 5208