

“Y” Strainer

cim74.1

FIPT x FIPT



Applications:

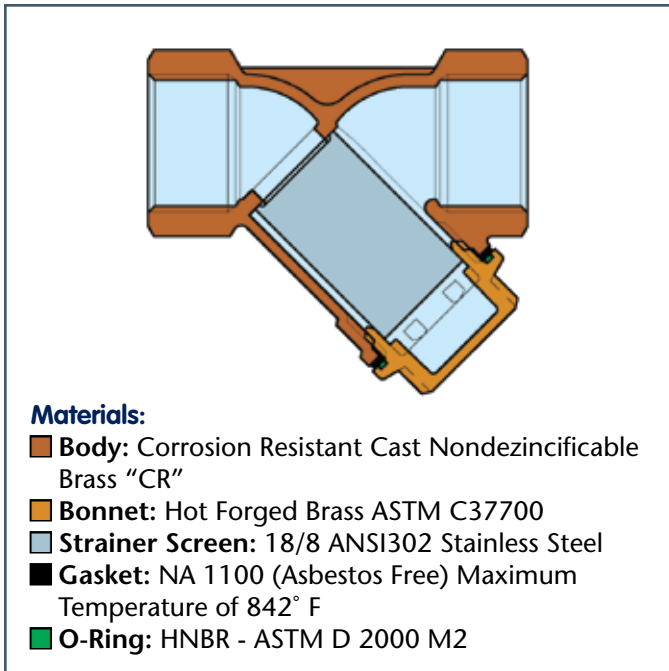
The CIM 74.1 Y strainer is manufactured in accordance with BS 5154/B-PN20 and EN ISO 9002 and designed for use in residential and commercial plumbing, industrial applications, agricultural systems, waterworks, saturated steam or high temperature hot water service, as well as oil, gasoline and other hydrocarbon services (CIM 74/ACRG).

Features:

The CIM 74.1 Y strainer is built from cast corrosion resistant brass “CR” EN 1982-CC7525, with an 18/8 ANSI302 stainless steel strainer screen designed to collect impurities such as sand, rust, and metal shavings to safeguard pipes and valves from mechanical damage and deposits.

Threading:

NPT threads to ANSI B1.20.1.



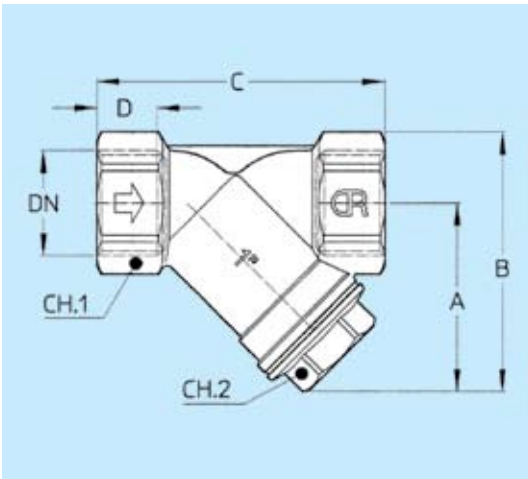
Size	Fast Order No.	Technical ID No.
1/2"	74-04	CIM74-A04-ST
3/4"	74-06	CIM74-A06-ST
1"	74-07	CIM74-A07-ST
1-1/4"	74-08	CIM74-A08-ST
1-1/2"	74-09	CIM74-A09-ST
2"	74-10	CIM74-A10-ST

All Cimberio valves qualify for the American Recovery and Reinvestment Act and the Buy American Act.

“Y” Strainer

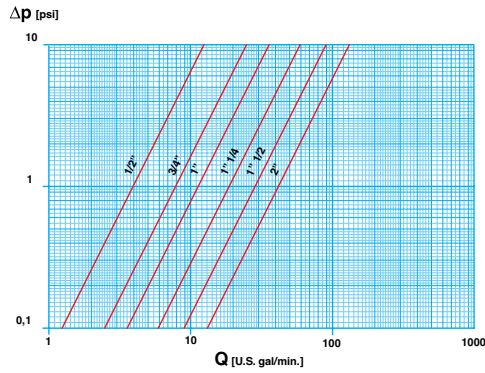
cim74.1

FIPT x FIPT

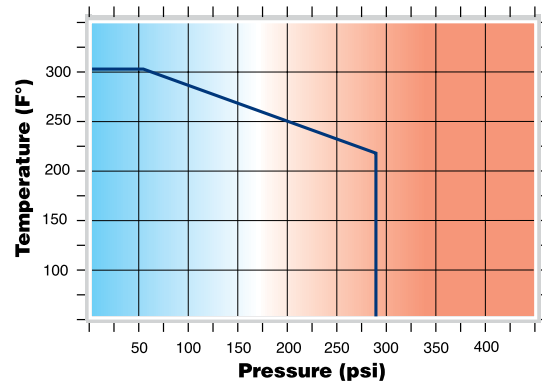


Size	1/2"	3/4"	1"	1-1/4"	1-1/2"	2"
A	1-9/16" 39mm	1-15/16" 49.5mm	2-5/16" 59mm	2-3/4" 70mm	3-3/16" 81mm	3-7/8" 99mm
B	2-1/8" 54mm	2-11/16" 68mm	3-1/4" 82mm	3-15/16" 99mm	4-5/16" 112mm	5-7/16" 138.5mm
C	2-11/16" 68mm	3" 77mm	3-9/16" 91mm	4-1/4" 108mm	4-9/16" 116mm	5-9/16" 143mm
D	9/16" 15mm	5/8" 16.5mm	3/4" 19mm	13/16" 21.5mm	13/16" 21.5mm	1" 26mm
CH1	1-1/8" 28mm	1-5/16" 33mm	1-9/16" 40mm	2" 51mm	2-1/4" 56mm	2-13/16" 71mm
CH2	3/4" 18mm	7/8" 22mm	1-1/8" 29mm	1-5/16" 34mm	1-9/16" 39mm	2-3/16" 25mm
Pounds	0.46	0.69	1	1.68	2.15	4.02
Grams	210	315	455	460	975	1825

FLOW AND PRESSURE DROP



PRESSURE/TEMPERATURE RATINGS



CV

CV: Capacity in "U.S. gal/min" at pressure drop of "1 PSI"

Element: Water - Temperature: 59.9° F

74.1 SIZE	1/2"	3/4"	1"	1-1/4"	1-1/2"	2"
CV	3.9	8.1	11.6	18.5	27.8	40.5

Working Pressure: 290 PSI

Max. Operating Temperature: Working Limit for Fluids 14° F – 212° F

Saturated Steam: 54 PSI at 302° F

Test Pressures: According to ISO 5208