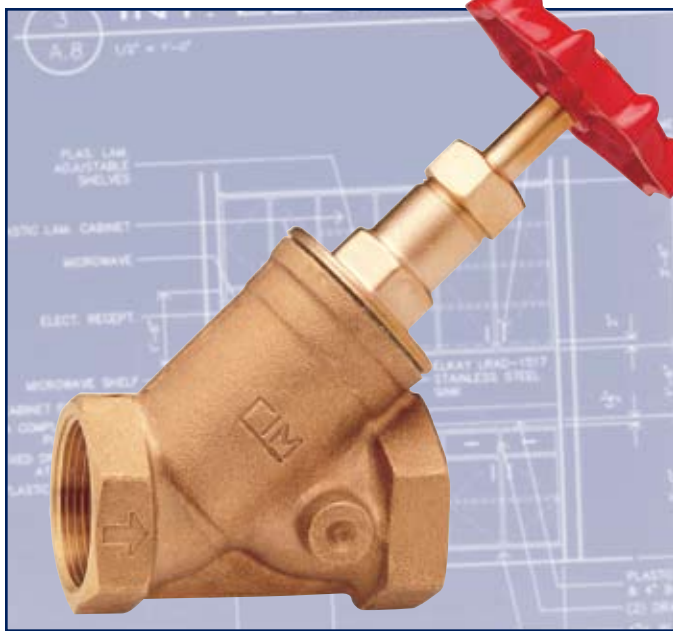


Angle Globe Valve

cim73.1

FIPT x FIPT • 45° "Y" Pattern Body • Rising Stem • P.T.F.E. Seat



Applications:

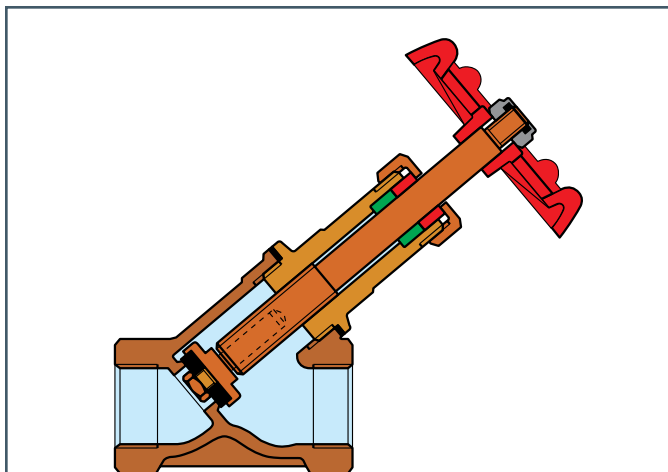
The CIM 73.1 globe valve is manufactured in accordance with BS 5154/B and EN ISO 9001 and is designed for use in a wide range of applications where fine flow regulation is required, including residential and commercial plumbing, industrial applications, agricultural applications, heating plants, waterworks, steam, and sanitary systems as well as oil, gasoline and other hydrocarbon services.

Features:

The CIM 73.1 angle, "Y" pattern globe valve features a screwed-in bonnet, rising stem, and a P.T.F.E. disc design with an adjustable opening capable of fine flow regulation or complete retraction out of the flow path.

Threading:

NPT Threads ANSI B1.20.1



Materials:

- **Body:** Cast Bronze to BS 1400 - LG2 (Cu85Sn5Zn5Pb5)
- **Bonnet:** Hot Forged Brass ASTM C37700
- **Stem and Metal Components:** 36600 Bar Stock
- **Disc:** P.T.F.E.
- **Packing Gland:** AF 15/MA Heat Resistant Fiber, (Asbestos Free) Elastomers, Synthetic Resin and P.T.F.E., Maximum Temperature of 482° F
- **Handwheel:** Hard Duraluminum Alloy Epoxy Painted Red RAL 3000, with "Open" and "Shut" Indication

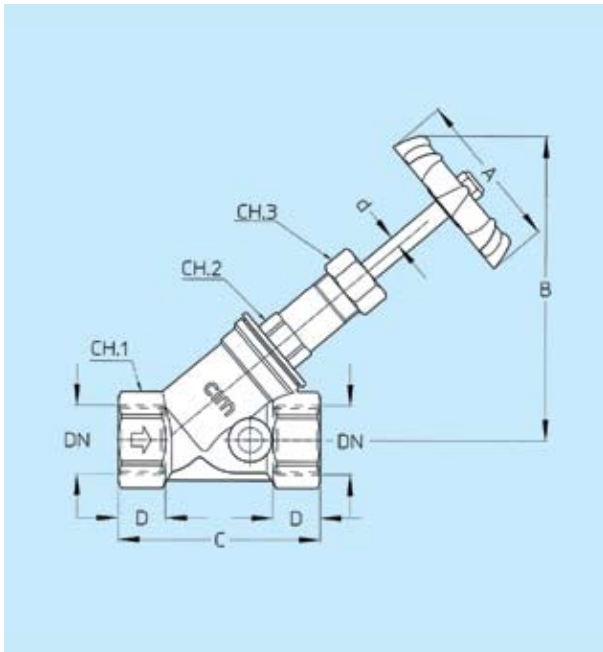
Size	Fast Order No.	Technical ID No.
1/2"	73-04	CIM73-A04WH
3/4"	73-06	CIM73-A06WH
1"	73-07	CIM73-A07WH
1-1/4"	73-08	CIM73-A08WH
1-1/2"	73-09	CIM73-A09WH
2"	73-10	CIM73-A10WH

All Cimberio valves qualify for the American Recovery and Reinvestment Act and the Buy American Act.

Angle Globe Valve

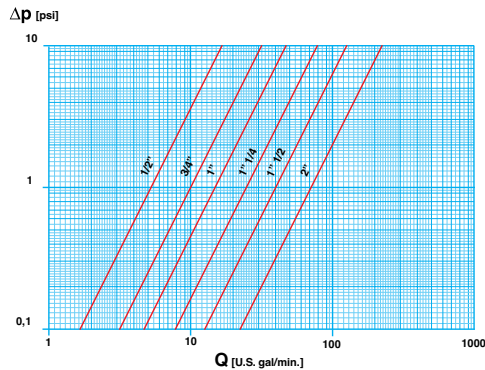
cim73.1

FIPT x FIPT • 45° “Y” Pattern Body • Rising Stem • P.T.F.E. Seat

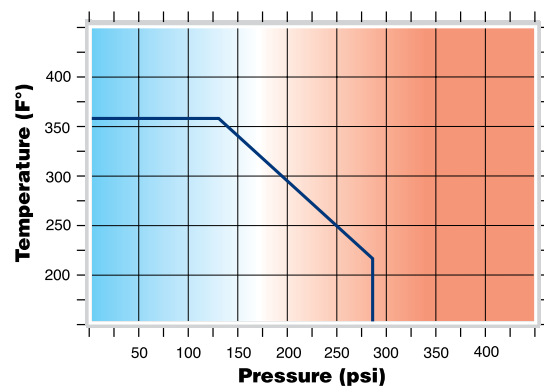


Size Port inch Port mm	1/2" 0.55" 14mm	3/4" 0.75" 20mm	1" 0.98" 25mm	1-1/4" 1.26" 32mm	1-1/2" 1.46" 37mm	2" 1.85" 47mm
A	2-3/16" 55mm	2-3/8" 60mm	2-9/16" 65mm	2-15/16" 75mm	3-1/8" 80mm	3-9/16" 90mm
B	3-9/16" 90mm	4-9/16" 115mm	5-5/16" 135mm	6-5/16" 160mm	6-7/8" 174mm	8-1/4" 210mm
C	2-5/16" 59mm	2-11/16" 68mm	3" 76mm	3-5/8" 92mm	3-15/16" 100mm	4-15/16" 125mm
D	7/16" 11mm	1/2" 12mm	9/16" 14mm	5/8" 15mm	5/8" 15mm	11/16" 18mm
CH1	1-1/8" 28mm	1-5/16" 34mm	1-5/8" 42mm	2-1/16" 52mm	2-3/16" 56mm	2-3/4" 70mm
CH2	11/16" 17mm	13/16" 21mm	15/16" 24mm	1" 26mm	1-3/16" 30mm	1-1/4" 32mm
CH3	3/4" 19mm	13/16" 21mm	15/16" 24mm	1-1/16" 27mm	1-1/16" 27mm	1-3/16" 30mm
d	5/16" 8mm	5/16" 8mm	3/8" 9mm	7/16" 11mm	1/2" 12mm	9/16" 14mm
Pounds Grams	0.73 330	1.08 490	1.52 690	2.4 1090	3.02 1370	5.16 2430

FLOW AND PRESSURE DROP



PRESSURE/TEMPERATURE RATINGS



CV

CV: Capacity in "U.S. gal/min" at pressure drop of "1 PSI"

Element: Water - Temperature: 59.9° F

73.1 SIZE	1/2"	3/4"	1"	1-1/4"	1-1/2"	2"
Ø mm	14	20	25	33	37	47
Ø inch	0.55	0.79	0.98	1.3	1.46	1.85
CV	5.2	10.2	15	25.4	39.3	71.7

Working Pressure: 290 PSI

Max. Operating Temperature: Working Limit for Fluids 14° F – 212° F

Saturated Steam: 130 PSI at 356° F

Test Pressures: According to ISO 5208