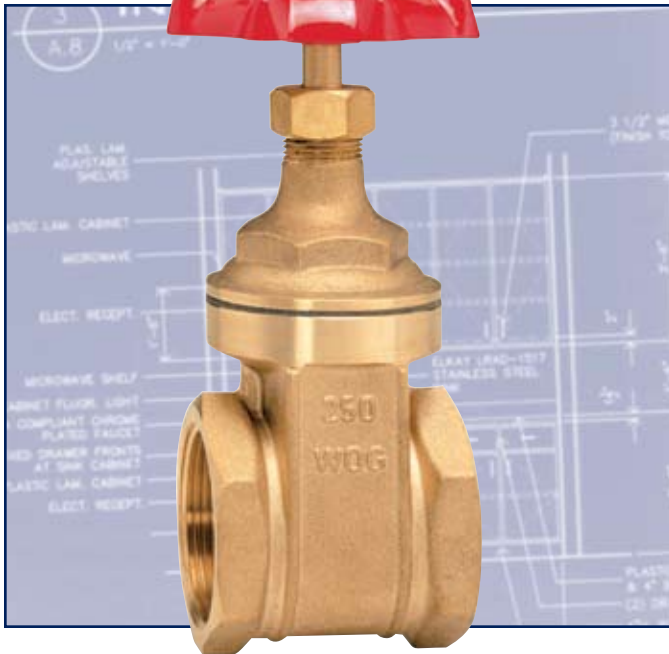


# Full Port Gate Valve

**cim70.1**

FIPT x FIPT



## Applications:

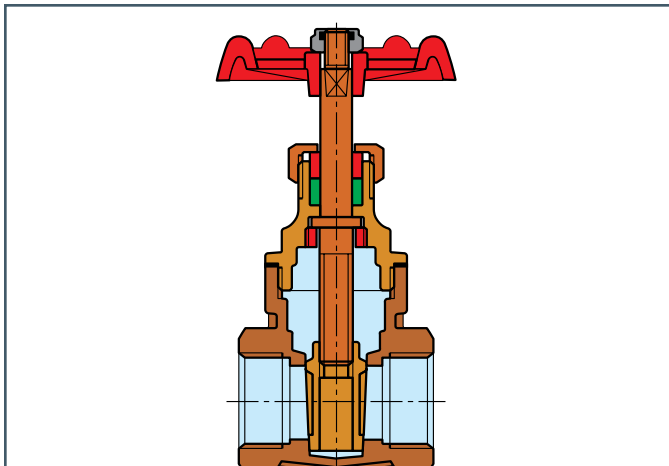
The CIM 70.1 gate valve is manufactured in accordance with BS 5154/B and EN ISO 9001 and is designed for use in a wide range of applications including residential and commercial plumbing, industrial applications, agricultural applications, heating plants, waterworks, steam, and sanitary systems as well as oil, gasoline and other hydrocarbon services.

## Features:

The CIM 70.1 is a full port 250 WOG gate valve that features a screwed-in bonnet, non-rising stem, and solid wedge disc design.

## Threading:

NPT Threads ANSI B1.20.1



## Materials:

**Body, Bonnet, Wedge:** Hot Forged Brass ASTM C37700

**Stem and Metal Components:** 36600 Bar Stock

**Packing:** NA 1030 Gr. (Asbestos Free) is Suitable to a Maximum Temperature of 356° F

**Packing Gland:** AF 15/MA Heat Resistant Fiber, (Asbestos Free) Elastomers, Synthetic Resin and P.T.F.E. It is Suitable to a Maximum Temperature of 482° F

**Handwheel:** Hard Duraluminum Alloy Epoxy Painted Red RAL 3000 Showing "On-Off"

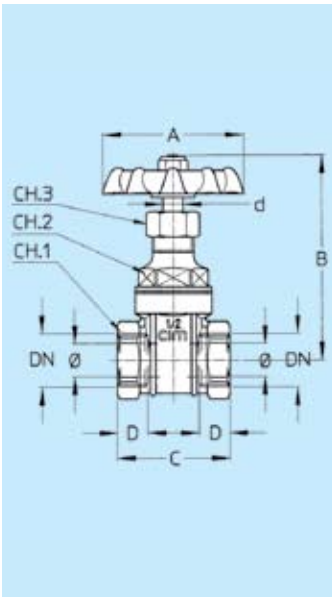
Size	Fast Order No.	Technical ID No.
1/2"	70-04	CIM70-A04WH
3/4"	70-06	CIM70-A06WH
1"	70-07	CIM70-A07WH
1-1/4"	70-08	CIM70-A08WH
1-1/2"	70-09	CIM70-A09WH
2"	70-10	CIM70-A10WH
2-1/2"	70-11	CIM70-A11WH
3"	70-12	CIM70-A12WH
4"	70-14	CIM70-A14WH
5"	70-15	CIM70-A15WH
6"	70-16	CIM70-A16WH

All Cimberio valves qualify for the American Recovery and Reinvestment Act and the Buy American Act.

# Full Port Gate Valve

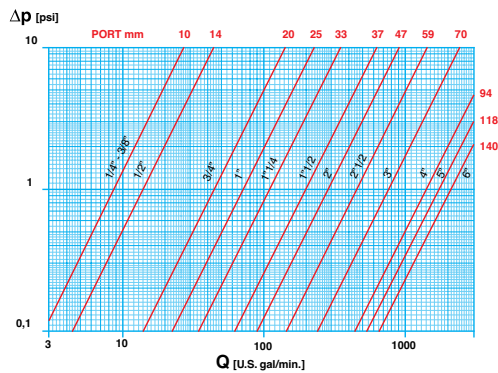
cim70.1

FIPT x FIPT

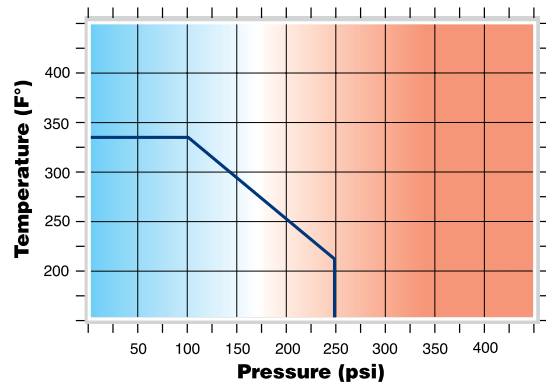


Size Port inch Port mm	1/2" 0.55" 14mm	3/4" 0.75" 20mm	1" 0.98" 25mm	1-1/4" 1.26" 32mm	1-1/2" 1.46" 37mm	2" 1.85" 47mm	2-1/2" 2.32" 59mm	3" 2.76" 70mm	4" 3.7" 94mm	5" 4.65" 118mm	6" 5.51" 140mm
A	2-3/16" 55mm	2-3/8" 60mm	2-9/16" 65mm	2-15/16" 75mm	3-1/8" 80mm	3-9/16" 90mm	4-5/16" 110mm	4-3/4" 120mm	5-1/2" 140mm	6-7/8" 175mm	6-7/8" 175mm
B	3-1/8" 80mm	3-3/4" 95mm	4" 101mm	4-3/4" 120mm	5-5/16" 135mm	5-15/16" 150mm	7-1/4" 185mm	8-1/16" 205mm	10-1/4" 260mm	13" 330mm	15-1/4" 386mm
C	1-3/4" 44mm	1-7/8" 48mm	2-1/8" 54mm	2-3/8" 60mm	2-1/2" 64mm	2-13/16" 72mm	3-1/8" 80mm	3-3/8" 85mm	3-13/16" 97mm	4-7/16" 112mm	4-3/4" 120mm
D	1/2" 12mm	9/16" 14mm	9/16" 15mm	11/16" 17mm	11/16" 17mm	13/16" 21mm	13/16" 21mm	7/8" 22mm	15/16" 23mm	1-1/8" 28mm	1-1/8" 29mm
CH1	1-1/16" 27mm	1-3/8" 34mm	1-9/16" 40mm	2" 50mm	2-3/16" 56mm	2-3/4" 69mm	3-3/8" 85mm	4" 102mm	5" 127mm	6-1/8" 155mm	7-1/16" 180mm
CH2	15/16" 24mm	1-3/16" 30mm	1-1/4" 32mm	1-1/4" 32mm	1-9/16" 39mm	1-7/8" 47mm	2-3/16" 55mm	2-5/8" 66mm	3-5/16" 84mm	4-1/2" 114mm	5-1/4" 134mm
CH3	3/4" 18mm	3/4" 18mm	3/4" 18mm	13/16" 21mm	15/16" 23mm	1" 25mm	1-3/16" 30mm	1-3/16" 30mm	1-7/16" 37mm	1-3/4" 45mm	1-15/16" 49mm
d	5/16" 8mm	5/16" 8mm	5/16" 8mm	3/8" 10mm	3/8" 10mm	7/16" 12mm	1/2" 13mm	9/16" 14mm	11/16" 17mm	3/4" 19mm	13/16" 21mm
Pounds Grams	0.54 245	0.83 375	1.10 500	1.65 750	2.18 990	3.15 1430	5.38 2440	7.72 3500	13.34 6050	22.27 10100	30.97 14050

## FLOW AND PRESSURE DROP



## PRESSURE/TEMPERATURE RATINGS



## CV

CV: Capacity in "U.S. gal/min" at pressure drop of "1 PSI"

Element: Water - Temperature: 59.9° F

70.1 SIZE	1/2"	3/4"	1"	1-1/4"	1-1/2"	2"	2-1/2"	3"	4"	5"	6"
Ø mm	14	20	25	33	37	47	59	70	94	118	140
Ø inch	0.55	0.79	0.98	1.3	1.46	1.85	2.32	2.76	3.7	4.65	5.51
CV	13.9	45.5	71.6	110.5	199.5	283.3	431.7	766	1400.2	1734.6	2099.9

Working Pressure: 250 PSI

Integral Seat: In Accordance with Nominal Dimension

Max. Operating Temperature: Working Limit for Fluids 14° F – 212° F

Saturated Steam: 102 PSI at 338° F

Test Pressures: According to ISO 5208