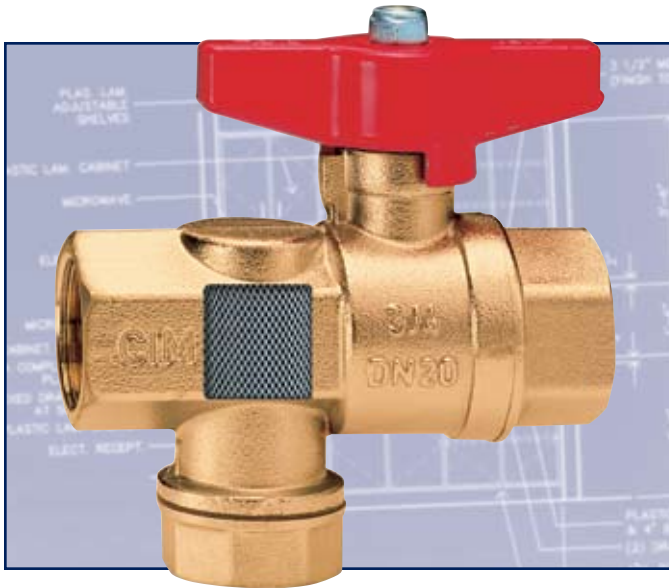


Full Port Ball Valve with Integral Strainer

cim620.1

FIPT x FIPT



Applications:

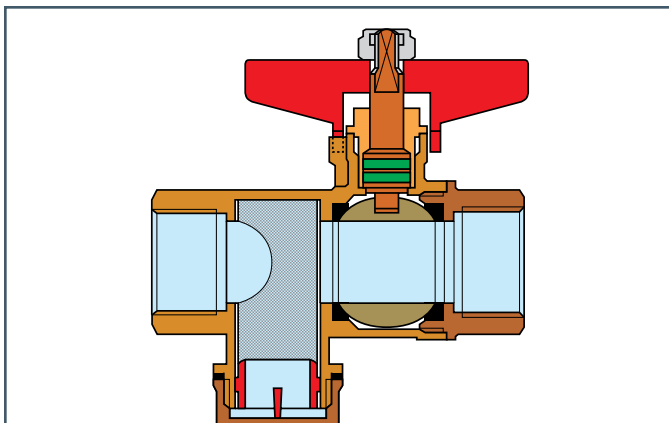
The CIM 620.1 ball valve is manufactured in accordance with EN ISO 9001 and is designed for use with non-aggressive fluids such as residential and commercial plumbing, industrial applications, agricultural systems, waterworks, saturated steam or high temperature hot water service, as well as oil, gasoline and other hydrocarbon services.

Features:

The CIM 620.1 ball valve, which is built from the Cimberio CIM 11 building block, is a full port ball valve built with a heavy pattern body that offers increased thread depth and includes a unique blast proof/impact proof 3 part stem design that allows handle option flexibility. The CIM 620.1 ball valve also features an integral strainer designed to collect impurities such as sand, rust, and metal shavings to safeguard pipes and valves from mechanical damage and deposits. The CIM 620.1 compact design incorporates two distinct functions in one unit saving space, time and money and making this valve particularly well suited for OEM applications.

Threading:

NPT threads ANSI B1.20.1.



Materials:

- **Body:** Hot Forged Brass ASTM C37700
- **Adaptor:** Hot Forged Brass ASTM C37700
- **Ball:** Brass, Machined to a Micro-Smooth Finish, Hard Chromium Plated
- **Cap Stem:** 36600 Bar Stock
- **Ball Seats:** Conical Rings in P.T.F.E.
- **Stem Seal:** Two O-Rings in FPM.
- **Strainer Screen:** 18/8 ASNI302 Stainless Steel
- **Handle:** Hard Duraluminum Alloy Epoxy Painted Red RAL 3000
- **Nut:** Self-Locking Type, Steel ANSI C.1008.

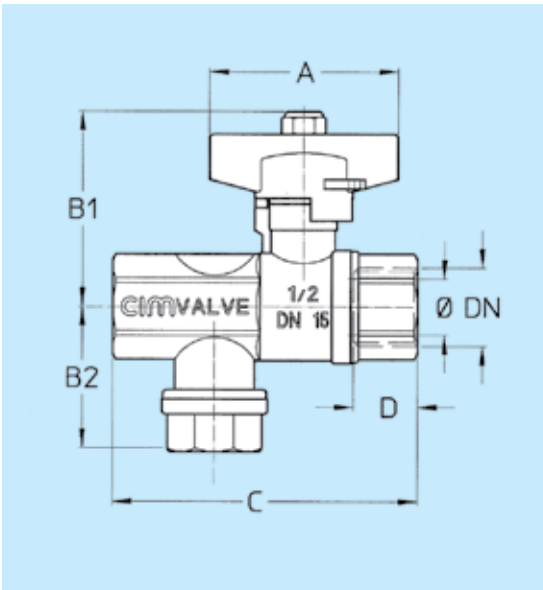
All Cimberio valves qualify for the American Recovery and Reinvestment Act and the Buy American Act.

Size	Fast Order No.	Technical ID No.
1/2"	620-04	CIM620-A04TH-ST
3/4"	620-06	CIM620-A06TH-ST
1"	620-07	CIM620-A07TH-ST

Full Port Ball Valve with Integral Strainer

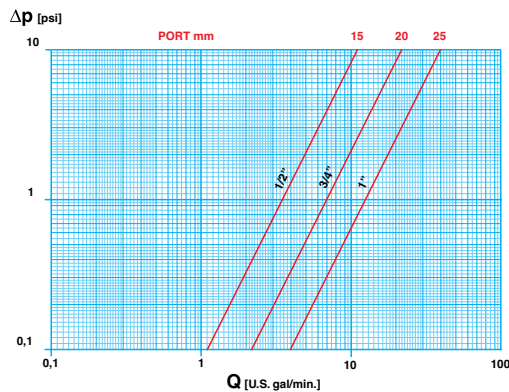
cim620.1

FIPT x FIPT



Size Port inch Port mm	1/2" 0.59" 15mm	3/4" 0.79" 20mm	1" 0.98" 25mm
A	2" 50mm	2-3/4" 70mm	2-3/4" 70mm
B1	2-1/16" 52mm	2-3/16" 56mm	2-3/8" 60mm
B2	1-9/16" 39mm	1-11/16" 43mm	2" 50mm
C	3-3/16" 81mm	3-5/8" 92mm	4-7/16" 112mm
D	11/16" 17mm	3/4" 19mm	13/16" 21mm
CH1	1" 25mm	1-1/4" 31mm	1-1/2" 38mm
CH2	1" 25mm	1-3/16" 30mm	1-7/16" 37mm
Pounds Grams	0.71 320	1.15 520	1.51 685

FLOW AND PRESSURE DROP



CV CM CS MT

CV: Capacity in "U.S. gal/min" at pressure drop of "1 PSI"

CM: Working Torque in "lb x in"

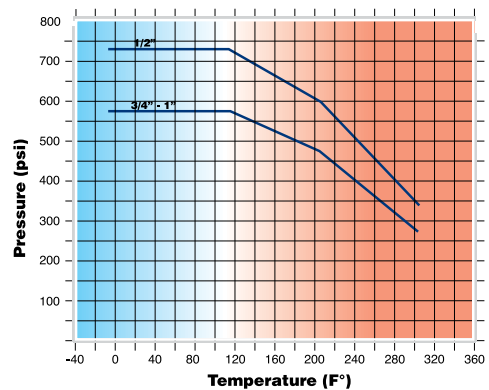
CS: Starting Torque in "lb x in"

MT: Torque Breaking Point on the Stem in "lb x in"

Element: Water - Temperature: 59.9° F

	SIZE	1/2"	3/4"	1"
620.1	Ø mm	15	20	25
	Ø inch	0.59	0.79	0.98
CV	gal/min	3.5	6.9	12.7
CM	N x m	3	5	6
	lb x in	27	44	53
CS	N x m	6	10	12
	lb x in	53	89	106
MT	N x m	10	24	24
	lb x in	89	213	213

PRESSURE/TEMPERATURE RATINGS



Working Pressure: 1/2" – 3/4" : 725 PSI
1" : 580 PSI

Max. Operating Temperature: Working Limit for Fluids -4° F – 302° F

Test Pressures: According to ISO 5208

Vacuum: the CIM 620.1 Ball Valves can be used for Vacuum: 2x10⁻⁵ PSI