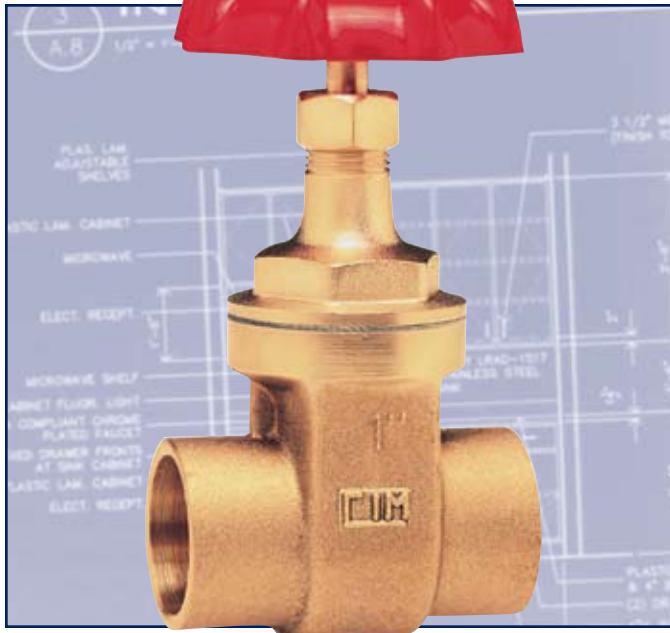


Full Port Gate Valve

cim 58.1

Copper x Copper



Applications:

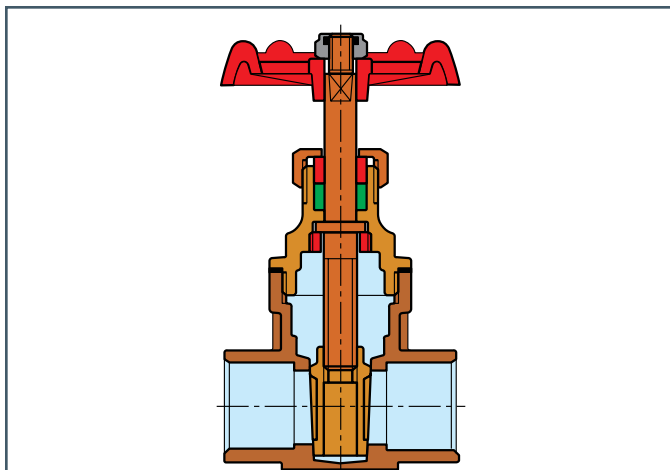
The CIM 58.1 gate valve is manufactured in accordance with BS 5154/B and EN ISO 9001 and is designed for use in a wide range of applications including residential and commercial plumbing, industrial applications, agricultural applications, heating plants, waterworks, steam, and sanitary systems as well as oil, gasoline and other hydrocarbon services.

Features:

The CIM 58.1 is a full port 250 WOG gate valve that features a screwed-in bonnet, non-rising stem, and solid wedge disc design.

Threading:

Sweat connection.



Materials:

Body, Bonnet, Wedge: Hot Forged Brass ASTM C37700

Stem and Metal Components: 36600 Bar Stock

Packing: NA 1030 Gr. (Asbestos Free) is Suitable to a Maximum Temperature of 356° F

Packing Gland: AF 15/MA Heat Resistant Fiber, (Asbestos Free) Elastomers, Synthetic Resin and P.T.F.E. It is Suitable to a Maximum Temperature of 482° F

Handwheel: Hard Duraluminum Alloy Epoxy Painted Red RAL 3000 Showing "On-Off"

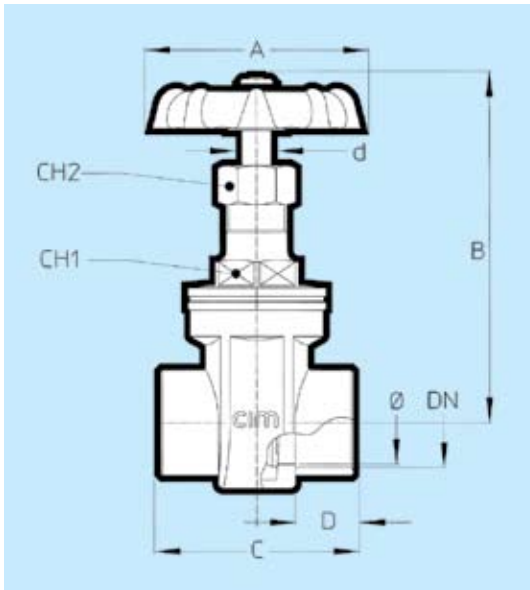
Size	Fast Order No.	Technical ID No.
1/2"	58-04	CIM58-C04WH
3/4"	58-06	CIM58-C06WH
1"	58-07	CIM58-C07WH
1-1/4"	58-08	CIM58-C08WH
1-1/2"	58-09	CIM58-C09WH
2"	58-10	CIM58-C10WH

All Cimberio valves qualify for the American Recovery and Reinvestment Act and the Buy American Act.

Full Port Gate Valve

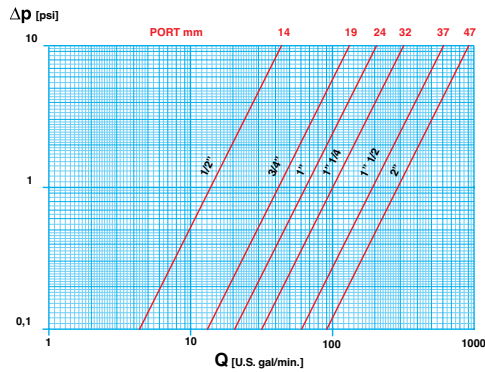
cim58.1

Copper x Copper

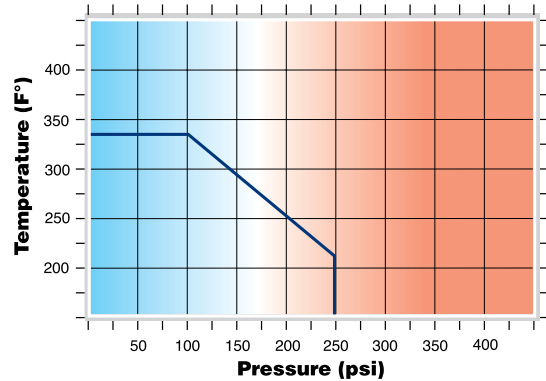


Size	1/2"	3/4"	1"	1-1/4"	1-1/2"	2"
Port inch	0.51"	0.75"	0.94"	1.26"	1.46"	1.85"
Port mm	13mm	19mm	24mm	32mm	37mm	47mm
A	2-3/16"	2-3/8"	2-9/16"	2-15/16"	3-1/8"	3-9/16"
	55mm	60mm	65mm	75mm	80mm	90mm
B	3-1/8"	3-11/16"	4-1/16"	4-3/4"	5-1/4"	5-7/8"
	80mm	93.5mm	103.5mm	120mm	134mm	148.5mm
C	2"	2-1/8"	2-9/16"	2-7/8"	3-1/16"	3-5/8"
	50mm	54mm	65mm	73mm	78mm	92.5mm
D	9/16"	5/8"	3/4"	13/16"	15/16"	1-3/16"
	15mm	16.5mm	19mm	20mm	23mm	29.5mm
CH1	15/16"	1-3/16"	1-1/4"	1-1/4"	1-9/16"	1-7/8"
	24mm	30mm	32mm	32mm	39mm	47mm
CH2	3/4"	3/4"	3/4"	13/16"	15/16"	1"
	18mm	18mm	18mm	21mm	23mm	25mm
d	5/16"	5/16"	5/16"	3/8"	3/8"	7/16"
	8mm	8mm	8mm	10mm	10mm	12mm
Pounds	0.52	0.79	1.05	1.6	2.13	3.09
Grams	235	360	475	725	965	1400

FLOW AND PRESSURE DROP



PRESSURE/TEMPERATURE RATINGS



CV

CV: Capacity in "U.S. gal/min" at pressure drop of "1 PSI"

Element: Water - Temperature: 59.9° F

58.1 SIZE	1/2"	3/4"	1"	1-1/4"	1-1/2"	2"
Ø mm	14	20	25	33	37	47
Ø inch	0.55	0.79	0.98	1.3	1.46	1.85
CV	12.7	38.1	60.4	95.4	181.2	259.7

Working Pressure: 250 PSI

Integral Seat: In Accordance with Nominal Dimension

Max. Operating Temperature: Working Limit for Fluids 14° F – 212° F

Saturated Steam: 102 PSI at 338° F

Test Pressures: According to ISO 5208