

# cimJOINT Telescopic Expansion Union

cim440.1

Copper Compression x Copper Compression



## Applications:

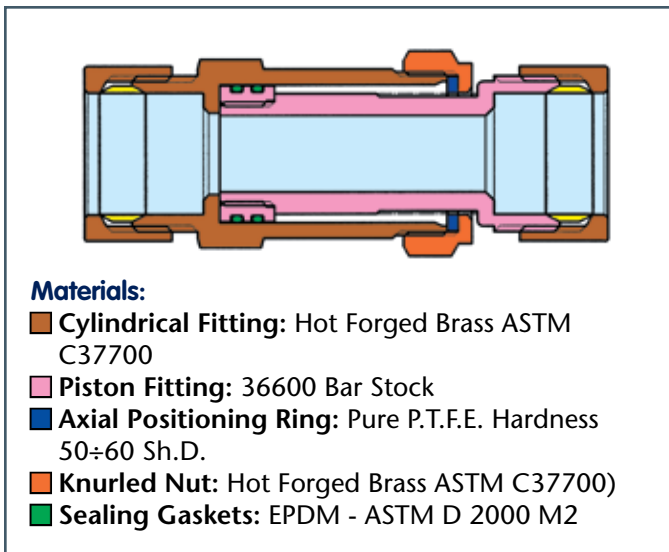
The CIM 440.1 telescopic expansion union is manufactured in accordance with EN ISO 9001 and is designed to solve the expansion, contraction, and thermal stress problems normally found in hydraulic, heating, sanitary, pneumatic and similar pipe systems.

## Features:

Additional applications include watermeter or pump installations where the extension capabilities of the union eliminate the need for extra fittings or nipples to make connections. CimJOINT unions can also be used for the easy repair of damaged pipe.

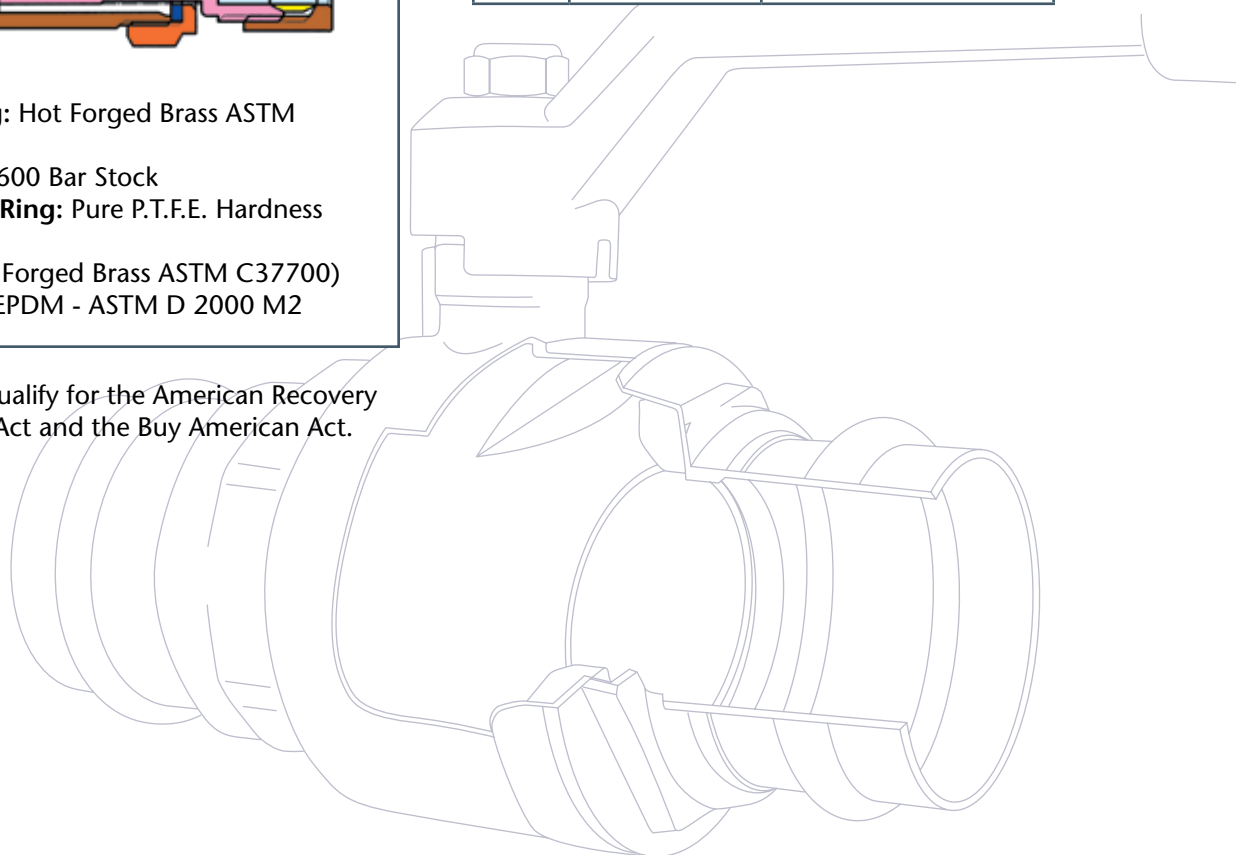
## Threading:

ASTM B88 Copper Connection



Size	Fast Order No.	Technical ID No.
1/2"	440-04	CIM440-CC04AH-CJU
3/4"	440-06	CIM440-CC06AH-CJU
1"	440-07	CIM440-CC07AH-CJU
1-1/4"	440-08	CIM440-CC08AH-CJU

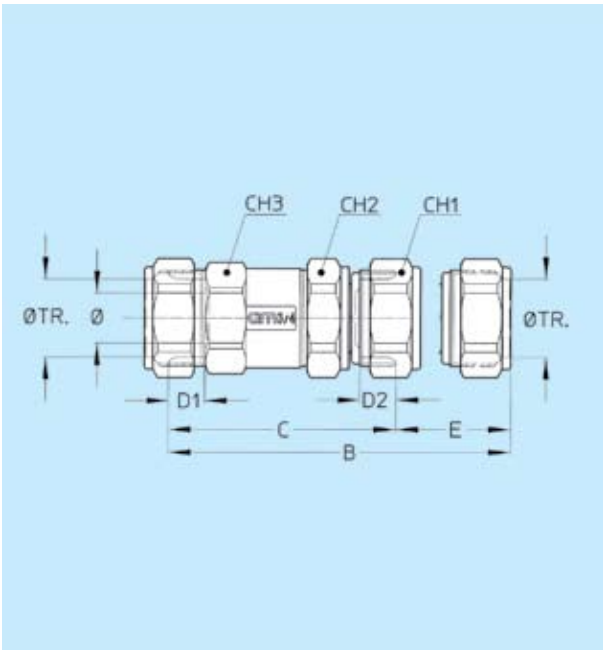
All Cimberio valves qualify for the American Recovery and Reinvestment Act and the Buy American Act.



# cimJOINT Telescopic Expansion Union

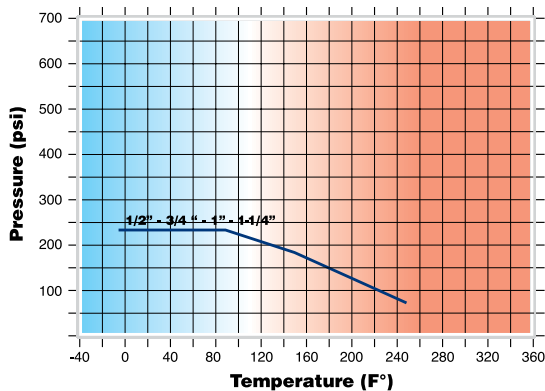
**cim440.1**

Copper Compression x Copper Compression



Size Port inch Port mm	1/2" 0.55" 14mm	3/4" 0.55" 14mm	1" 0.75" 19mm	1-1/4" 1" 25mm
B	4-5/16" 110mm	4-7/16" 112mm	4-1/2" 114.5mm	4-3/4" 120.5mm
C	3-1/16" 78mm	3-1/8" 80mm	3-1/4" 82mm	3-3/8" 86mm
E	1-1/4" 32mm	1-1/4" 32mm	1-1/4" 32.5mm	1-3/8" 34.5mm
D1	1/2" 12mm	1/2" 13mm	1/2" 13mm	9/16" 14mm
D2	1/2" 12mm	9/16" 15mm	1/2" 13mm	9/16" 14 mm
CH1	15/16" 24mm	1-1/4" 32mm	1-9/16" 39mm	1-7/8" 47mm
CH2	1-3/8" 34mm	1-3/8" 34mm	1-9/16" 39mm	1-7/8" 47mm
CH3	1-1/4" 31mm	1-1/4" 31mm	1-7/16" 36mm	1-11/16" 43mm
Pounds	0.64	0.82	1.04	1.5
Grams	290	370	485	665

## PRESSURE/TEMPERATURE RATINGS



**Working Pressure:** 1/2" – 1-1/4" : 232 PSI

**Max. Operating Temperature:** Working Limit for Fluids -4° F – 248° F

**Test Pressures:** According to ISO 5208