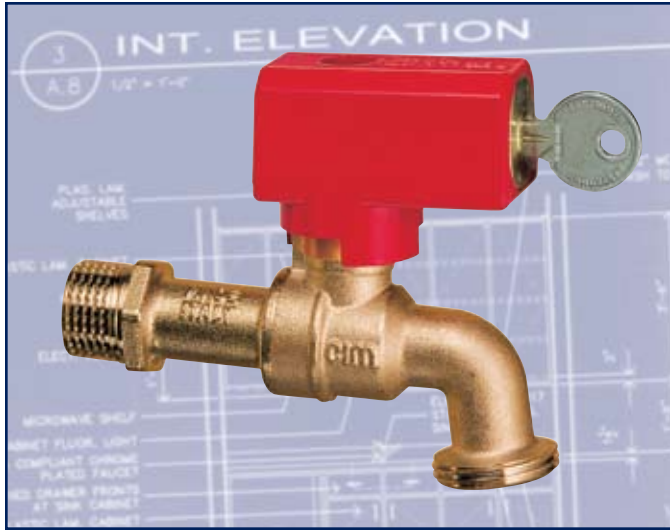


Ball Bib Cock with Locking Handle

cim34SI.1

MIPT x Garden Hose Thread



Applications:

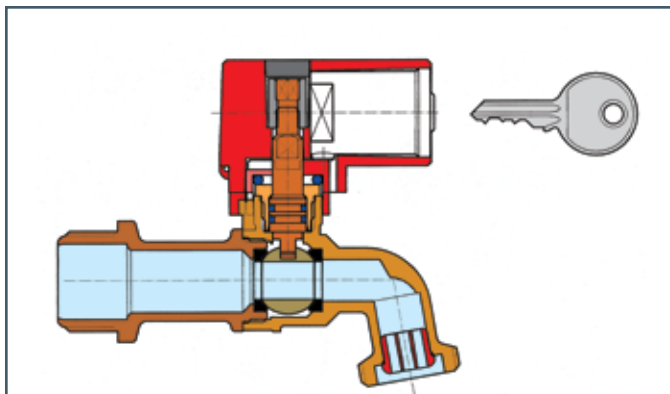
The CIM34SI.1 ball bib cock with locking handle is manufactured in accordance with EN ISO 9001 and designed for use with non-aggressive fluids and gases for residential and commercial plumbing, industrial applications, agricultural systems, and condensate lines.

Features:

The angled through ball valve design of the CIM 34SI.1 provides exceptional wear resistance with maximum flow as compared to traditional bib cock design. The CIM 34SI.1 bib cock utilizes the same unique blast proof/impact proof 3 part stem design used on our CIM 11 ball valve. The locking handle on the CIM 34SI.1 will operate in either the open or closed position. The CIM 34SI.1 is available in 12 different lock configurations or can be master keyed.

Threading:

NPT threads ANSI B1.20.1.

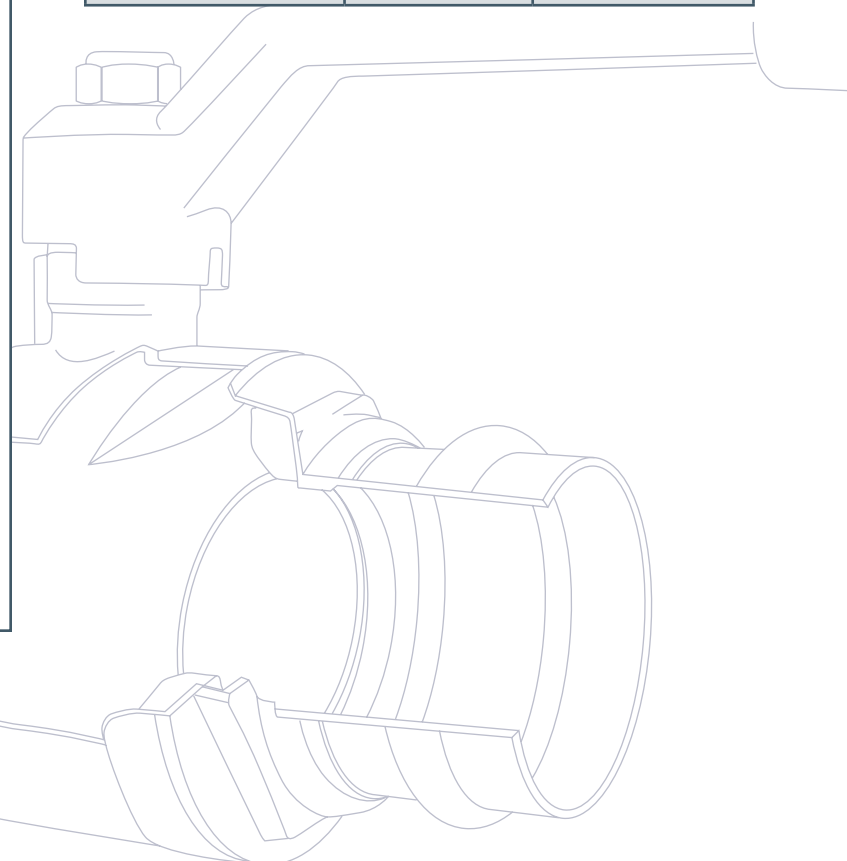


Materials:

- **Body:** Hot Forged Brass ASTM C37700
- **Adaptor:** Hot Forged Brass ASTM C37700
- **Ball:** Brass, Machined to a Micro-Smooth Finish, Hard Chromium Plated
- **Cap Stem:** 36600 Bar Stock
- **Ball Seats:** Conical Rings in P.T.F.E.
- **Stem Seal:** Two O-Rings in FPM.
- **Handle:** Hard Duraluminum Alloy EN 1676 AB-46100 Painted Red RAL 3000
- **Nut:** Self-Locking Type, Steel ANSI C.1008.

Size	Fast Order No.	Technical ID No.
1/2" x 3/4" Hose Thd.	34SI-04	CIM34SI-A04LH

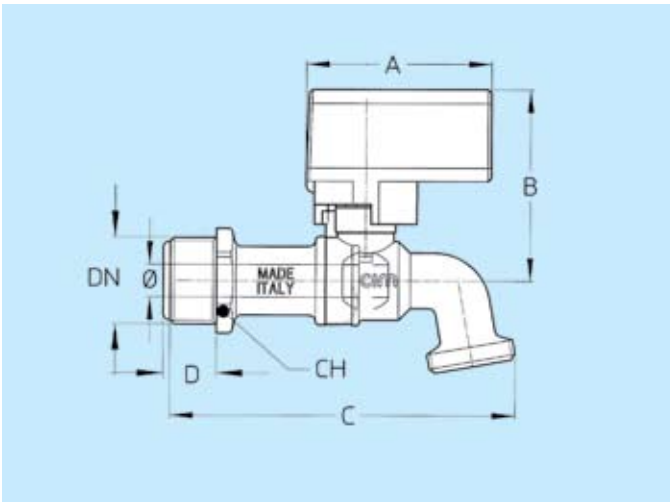
All Cimberio valves qualify for the American Recovery and Reinvestment Act and the Buy American Act.



Ball Bib Cock with Locking Handle

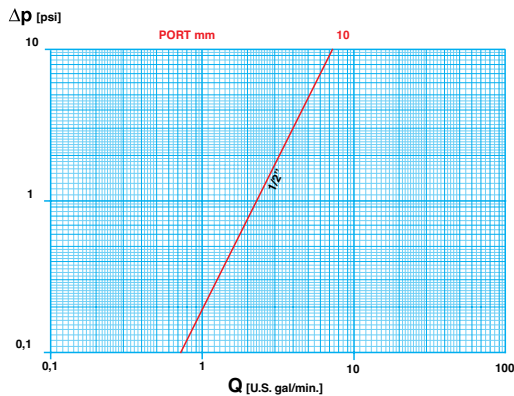
cim34Sl.1

MIPT x Garden Hose Thread

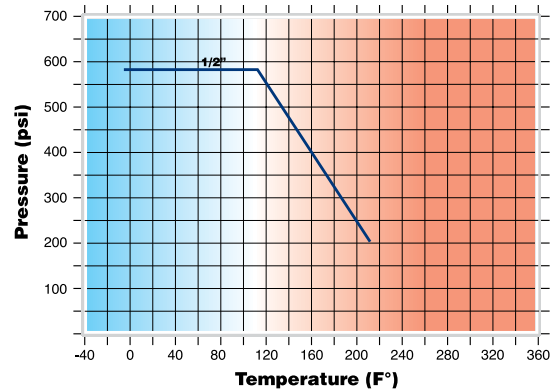


	34Sl.1
Size	1/2"
Port inch	0.39"
Port mm	10mm
A	2-1/4" 56mm
B	2-1/4" 58mm
C	4-1/16" 103mm
D	9/16" 14mm
CH	15/16" 23mm
Pounds	0.97
Grams	440

FLOW AND PRESSURE DROP



PRESSURE/TEMPERATURE RATINGS



CV CM CS MT

CV: Capacity in "U.S. gal/min" at pressure drop of "1 PSI"

CM: Working Torque in "lb x in"

CS: Starting Torque in "lb x in"

MT: Torque Breaking Point on the Stem in "lb x in"

Element: Water - Temperature: 59.9° F

34Sl.1	SIZE	1/2"
	Ø mm	10
	Ø inch	0.39
CV	gal/min	2.3
CM	N x m	1
	lb x in	9
CS	N x m	2
	lb x in	18
MT	N x m	10
	lb x in	89

Working Pressure: 1/2" : 580 PSI

Max. Operating Temperature: Working Limit for Fluids -4° F – 212° F

Test Pressures: According to ISO 5208