

# Inline Check Foot Valve

**cim30A.1**

FIPT x FIPT • Brass Inline Check Valve with Filtering "Foot"



## Applications:

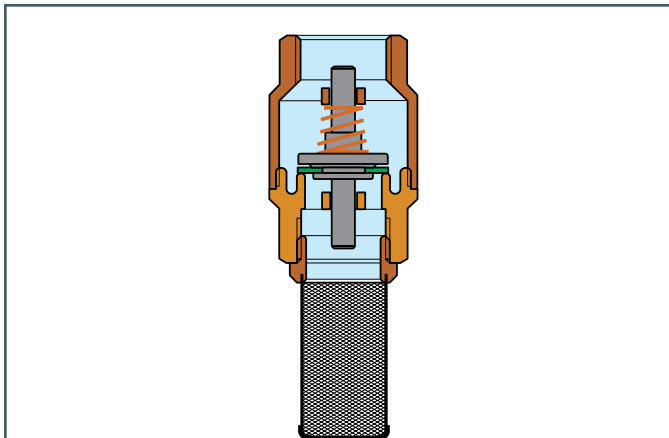
The CIM 30A.1 inline check foot valve is manufactured in accordance with EN ISO 9002 and is designed for vertical, horizontal or angled installation for use in domestic and commercial plumbing, sanitary systems, autoclaves, pumps and compressed air systems.

## Features:

The CIM 30A.1 utilizes our 30.1 Inline Check Valve combined with an 18/8 ANSI 302 stainless steel filtering "Foot". The CIM 30A.1 inline check foot valve utilizes a compact noiseless design that provides a low pressure drop and reduced water-hammer. The CIM 30A.1 is built with a double stem guide to facilitate trouble free operation and a stainless steel spring-loaded Hostaform thermoplastic free rotating stem that opens at .36 PSI. The CIM 30A.1 will provide a full flow area equal to the nominal size, and can be installed vertically, horizontally or at an angle in a pipeline to accommodate flow in one direction.

## Threading:

NPT threads ANSI B1.20.1.



## Materials:

- **Body:** Hot Forged Brass ASTM C37700
- **End Adaptor:** Hot Forged Brass ASTM C37700
- **Spring:** 18/8 ANSI 302 Stainless Steel
- **Stem:** Hostaform Thermoplastic
- **Disc:** NBR
- **Filtering "Foot":** 18/8 ANSI 302 Stainless Steel

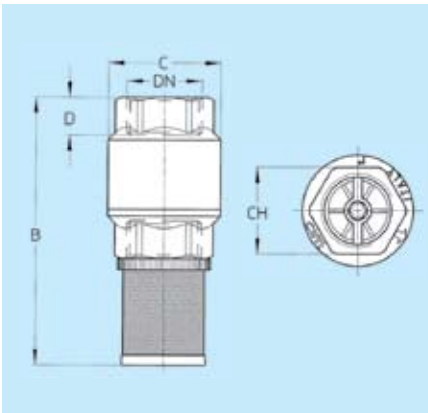
Size	Fast Order No.	Technical ID No.
3/8"	30A-03	CIM30A-A03-FV
1/2"	30A-04	CIM30A-A04-FV
3/4"	30A-06	CIM30A-A06-FV
1"	30A-07	CIM30A-A07-FV
1-1/4"	30A-08	CIM30A-A08-FV
1-1/2"	30A-09	CIM30A-A09-FV
2"	30A-10	CIM30A-A10-FV
2-1/2"	30A-11	CIM30A-A11-FV
3"	30A-12	CIM30A-A12-FV
4"	30A-14	CIM30A-A14-FV

All Cimberio valves qualify for the American Recovery and Reinvestment Act and the Buy American Act.

# Inline Check Foot Valve

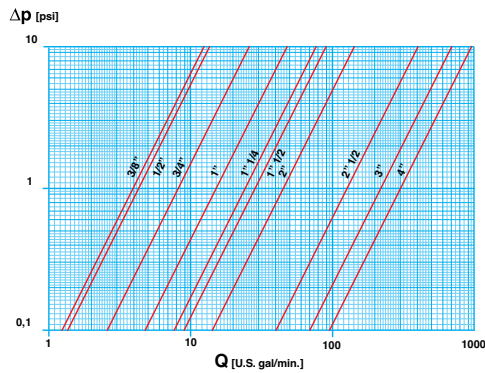
**cim30A.1**

FIPT x FIPT • Brass Inline Check Valve with Filtering “Foot”

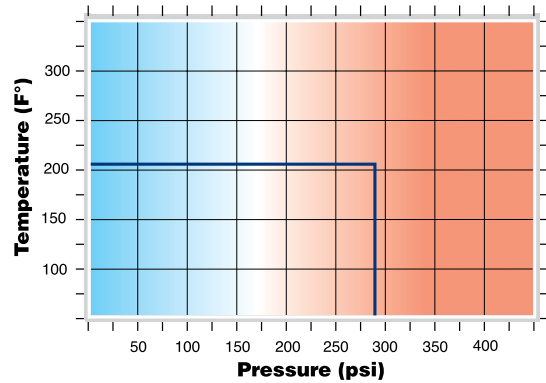


Size	3/8"	1/2"	3/4"	1"	1-1/4"	1-1/2"	2"	2-1/2"	3"	4"
B	3-3/8" 98mm	3-3/8" 98mm	4-5/16" 110mm	4-3/4" 120mm	5-1/2" 140mm	6-7/16" 163mm	7-9/16" 192mm	8-7/16" 214mm	9-1/2" 242mm	10-3/16" 259mm
C	1-3/8" 35mm	1-3/8" 35mm	1-5/8" 42mm	2" 50mm	2-3/8" 60mm	2-3/4" 70mm	3-1/4" 83mm	4-1/16" 103mm	4-13/16" 123mm	6-5/16" 160mm
D	3/8" 10mm	1/2" 12mm	1/2" 13mm	9/16" 14mm	5/8" 16mm	11/16" 18mm	13/16" 20mm	1" 25mm	1" 25mm	1" 26mm
CH	1" 25mm	1" 25mm	1-1/2" 31mm	1-9/16" 39mm	1-7/8" 48mm	2-3/16" 55mm	2-5/8" 67mm	3-7/16" 88mm	3-15/16" 100mm	4-13/16" 123mm
Pounds	0.39	0.34	0.53	0.82	1.06	2.02	2.91	5.52	7.69	11.33
Grams	175	155	240	370	480	915	1320	2505	3490	5140

## FLOW AND PRESSURE DROP



## PRESSURE/TEMPERATURE RATINGS



## CV

**CV:** Capacity in “U.S. gal/min” at pressure drop of “1 PSI”

**Element:** Water - Temperature: 59.9° F

30.1 SIZE	3/8"	1/2"	3/4"	1"	1-1/4"	1-1/2"	2"	2-1/2"	3"	4"
CV	3.93	4.3	8.1	15	24.3	28.9	44	124.9	222.1	305.4

**Working Pressure:** 290 PSI

**Max. Operating Temperature:** Working Limit for Fluids 14° F – 212° F

**Test Pressures:** According to ISO 5208