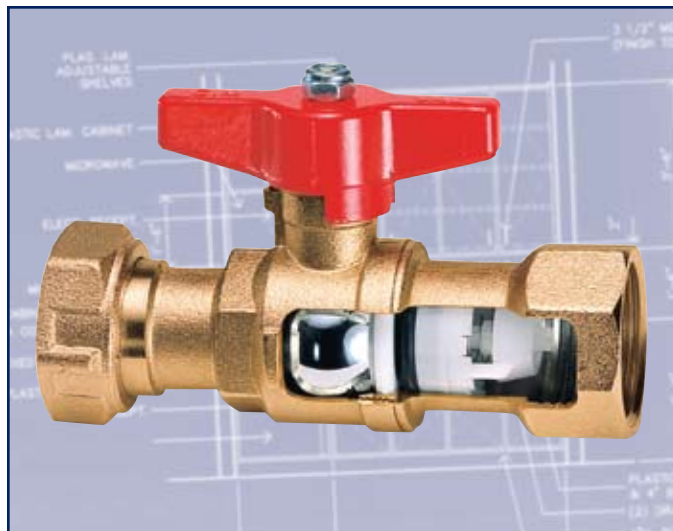


# Water Meter Outlet Ball Valve w/Check Valve

**cim304.1**

FIPT x Swivel Nut • With Integral Check Valve



## Applications:

The CIM 304.1 water meter outlet ball valve with built-in check valve, like all Cimberio ball valves designed for water meter service, is manufactured in accordance with EN ISO 9001 for use with residential and commercial water service, as well as industrial and agricultural applications.

## Features:

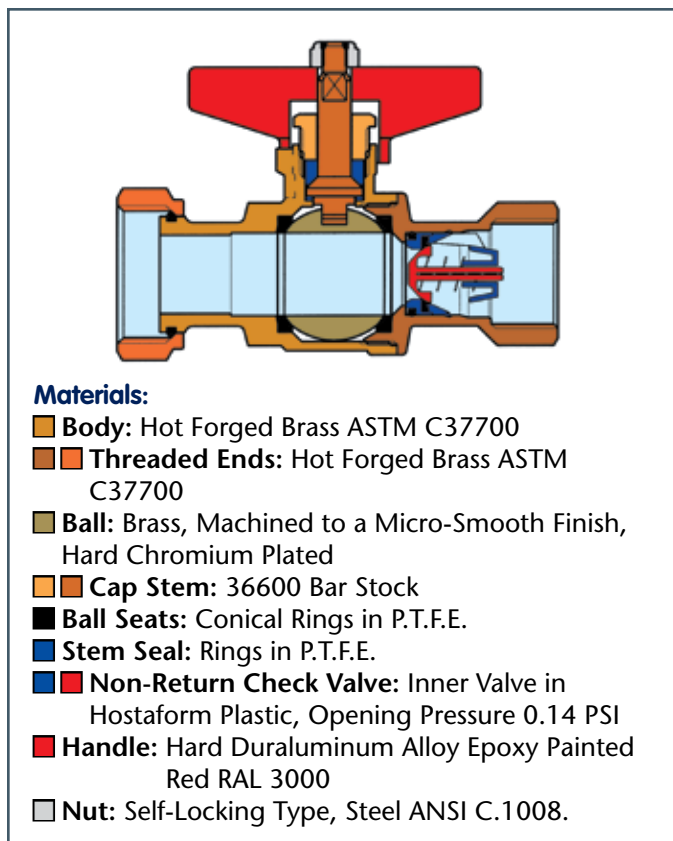
The CIM 304.1 is constructed with a lockable swivel nut to allow for easy and quick installation of a water meter. The CIM 304.1 ball valve also features a built-in check valve designed to ensure limited pressure drop while maintaining security against the threat of contamination and pollution backflow. The CIM 304.1's compact design incorporates two distinct functions in one unit, saving space, time and money

## Options:

Additional options include special fittings, locking handle, drain valves and strainers.

## Threading:

NPT threads ANSI B1.20.1 x Swivel Nut ISO 228.



## Materials:

- **Body:** Hot Forged Brass ASTM C37700
- **Threaded Ends:** Hot Forged Brass ASTM C37700
- **Ball:** Brass, Machined to a Micro-Smooth Finish, Hard Chromium Plated
- **Cap Stem:** 36600 Bar Stock
- **Ball Seats:** Conical Rings in P.T.F.E.
- **Stem Seal:** Rings in P.T.F.E.
- ■ **Non-Return Check Valve:** Inner Valve in Hostaform Plastic, Opening Pressure 0.14 PSI
- **Handle:** Hard Duraluminum Alloy Epoxy Painted Red RAL 3000
- **Nut:** Self-Locking Type, Steel ANSI C.1008.

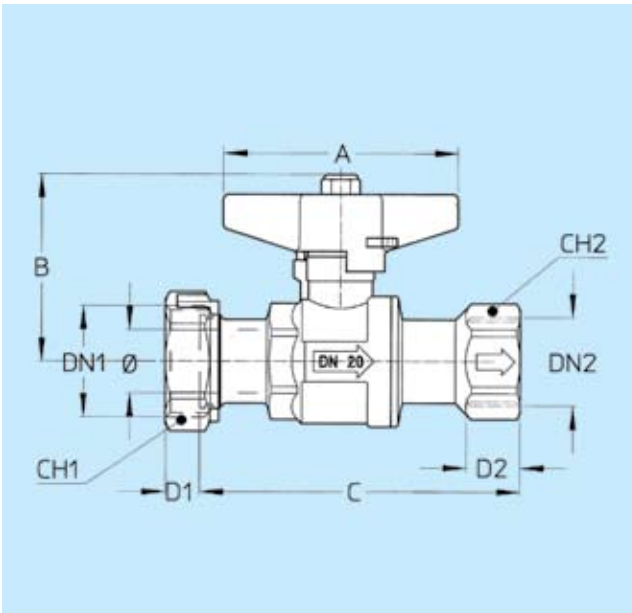
All Cimberio valves qualify for the American Recovery and Reinvestment Act and the Buy American Act.

Size	Fast Order No.	Technical ID No.
3/4" x 1/2"	304-0604	CIM304-SA0604TH-ICV
3/4" x 3/4"	304-0606	CIM304-SA0606TH-ICV
1" x 3/4"	304-0706	CIM304-SA0706TH-ICV
1" x 1"	304-0707	CIM304-SA0707TH-ICV

# Water Meter Outlet Ball Valve w/Check Valve

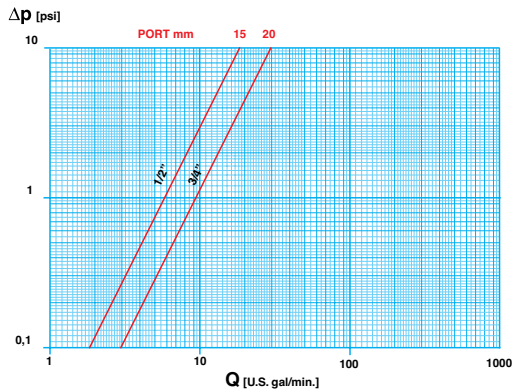
**cim304.1**

FIPT x Swivel Nut • With Integral Check Valve

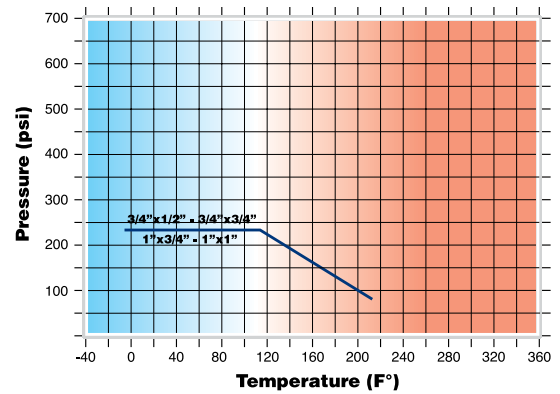


Size DN1	3/4"	3/4"	3/4"	1"
Size DN2	1/2"	3/4"	1"	1"
Port inch	0.59"	0.59"	0.79"	0.79"
Port mm	15mm	15mm	20mm	20mm
A	2"	2"	2-3/4"	2-3/4"
	50mm	50mm	70mm	70mm
B	2-1/16"	2-1/16"	2-3/16"	2-3/16"
	52mm	52mm	56mm	56mm
C	3-1/16"	3-5/16"	3-13/16"	4-1/16"
	78mm	84mm	96mm	103mm
D1	3/8"	3/8"	3/8"	3/8"
	9mm	9mm	10mm	10mm
D2	5/8"	5/8"	5/8"	13/16"
	15mm	16mm	16mm	20mm
CH1	1-1/4"	1-1/4"	1-7/16"	1-7/16"
	31mm	31mm	37mm	37mm
CH2	1"	1-1/4"	1-1/4"	1-1/2"
	25mm	31mm	31mm	38mm
Pounds	0.63	0.68	1.01	1.11
Grams	285	310	460	505

## FLOW AND PRESSURE DROP



## PRESSURE/TEMPERATURE RATINGS



## CV CM CS MT

**CV:** Capacity in "U.S. gal/min" at pressure drop of "1 PSI"

**CM:** Working Torque in "lb x in"

**CS:** Starting Torque in "lb x in"

**MT:** Torque Breaking Point on the Stem in "lb x in"

**Element:** Water - Temperature: 59.9° F

	SIZE	3/4" x 1/2"	3/4" x 3/4"	1" x 3/4"	1" x 1"
304.1	Ø mm	15	15	20	20
	Ø inch	0.59	0.59	0.79	0.79
CV	gal/min	5.8	5.8	9.3	9.3
CM	N x m	3	3	5	5
	lb x in	27	27	44	44
CS	N x m	6	6	10	10
	lb x in	53	53	89	89
MT	N x m	10	10	24	24
	lb x in	89	89	213	213

**Working Pressure:** 232 PSI

**Max. Operating Temperature:** Working Limit for Fluids -4° F – 212° F

**Test Pressures:** According to ISO 5208

**Vacuum:** The CIM304.1 ball valve can be used for vacuum:  $2 \times 10^{-5}$  PSI