

# Water Meter Installation Ball Valve

## cim261.1

### 90° Flare x FIPT Shut-Off



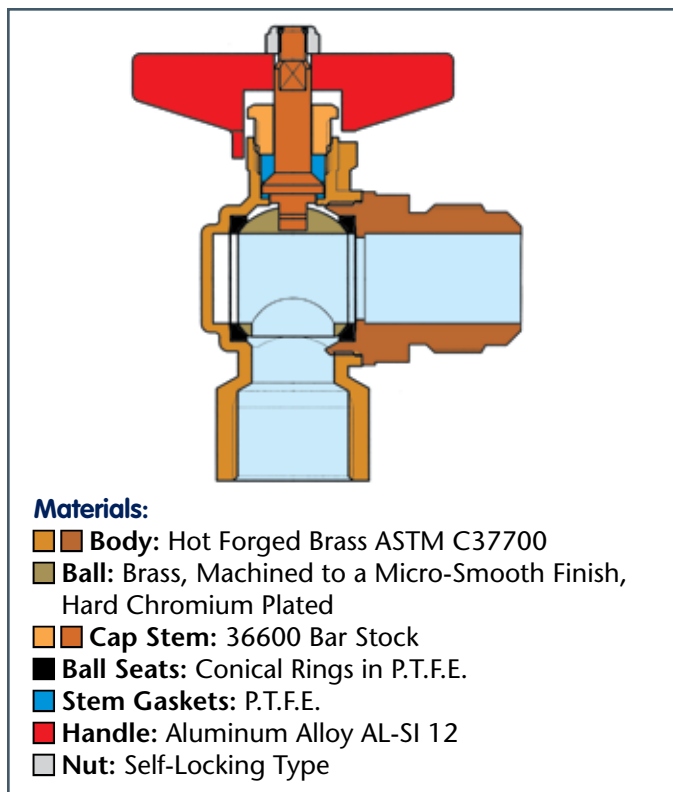
#### Applications:

The CIM 261.1 water meter installation ball valve is manufactured in accordance with EN ISO 9000 and meets MSS SP-110 and is suitable for water meter service in residential and commercial water applications, as well as industrial and agricultural applications.

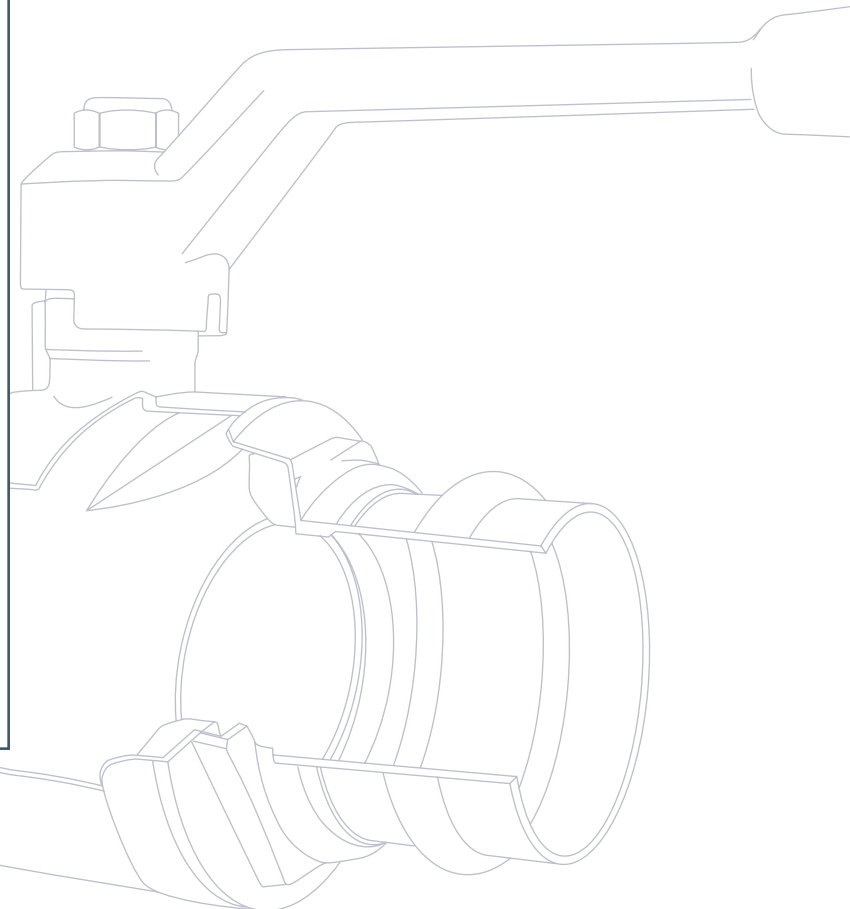
#### Features:

The CIM 261.1 features a 90° angle ball valve with a flare connection with nut for easy and quick installation of a water meter. The CIM 261.1 has a compact, one-piece design that eliminates unnecessary connections and leak points, reducing installation costs.

Size	Fast Order No.	Technical ID No.
3/4"	261-06	CIM261-AF06
1"	261-07	CIM261-AF07



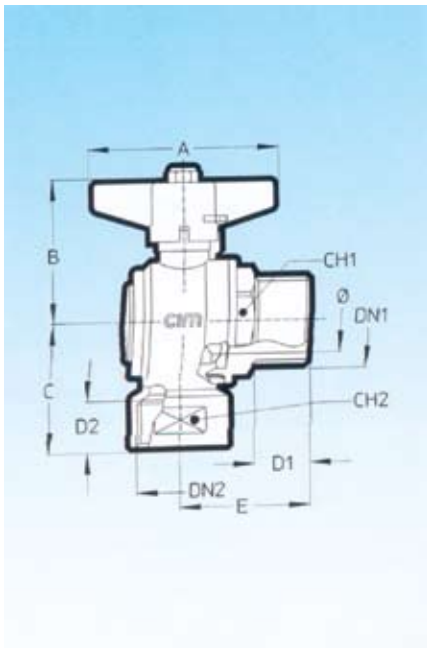
All Cimberio valves qualify for the American Recovery and Reinvestment Act and the Buy American Act.



# Water Meter Installation Valve

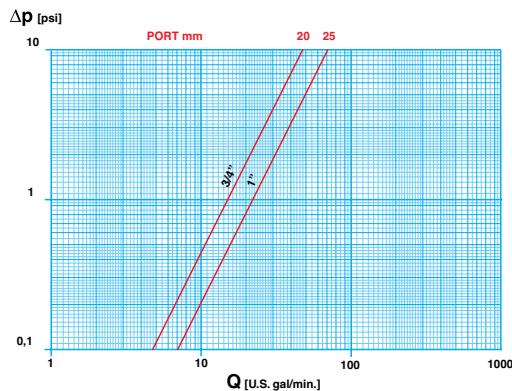
**cim261.1**

90° Flare x FIPT Shut-Off

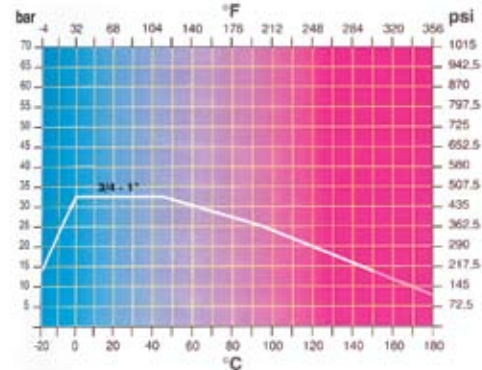


Size	3/4"	1"
Port inch	0.79"	0.98"
Port mm	20mm	25mm
A	2-3/4" 70mm	2-3/4" 70mm
B	2-3/16" 56mm	2-3/8" 60mm
C	1-3/4" 45mm	1-7/8" 48mm
D1	11/16" 18mm	13/16" 21mm
D2	3/4" 20mm	11/16" 18mm
E	1-5/8" 42mm	1-15/16" 49mm
CH1	1-1/16" 27mm	1-7/16" 36mm
CH2	1-1/16" 27mm	1-1/2" 38mm
Pounds	0.86	1.15
Grams	390	520

## FLOW AND PRESSURE DROP



## PRESSURE/TEMPERATURE RATINGS



## CV CM CS MT

**CV:** Capacity in "U.S. gal/min" at pressure drop of "1 PSI"

**CM:** Working Torque in "lb x in"

**CS:** Starting Torque in "lb x in"

**MT:** Torque Breaking Point on the Stem in "lb x in"

**Element:** Water - Temperature: 59.9° F

	SIZE	3/4"	1"
261.1	Ø mm	20	25
	Ø inch	0.79	0.98
CV	gal/min	15	22
CM	N x m lb x in	5 44	6 53
CS	N x m lb x in	10 89	12 106
MT	N x m lb x in	45 399	45 399

**Working Pressure:** 580 – 464 PSI

**Max. Operating Temperature:** Working Limit for Fluids -4° F – 302° F

**Test Pressures:** According to ISO 5208