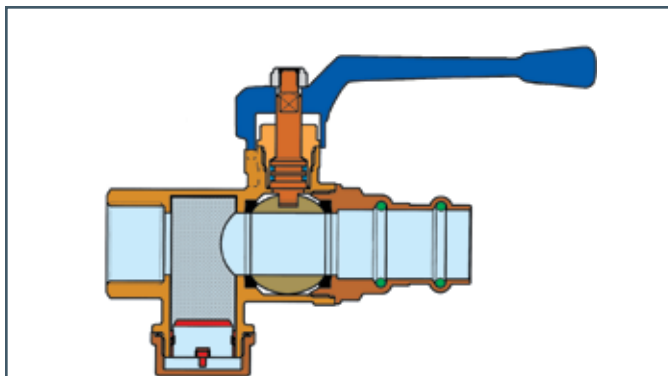


# cimPRESS Full Port Ball Valve w/Integral Strainer

cim226.1

CimPRESS x FIPT



## Materials:

- Body:** Hot Forged Brass ASTM C37700
- Ball:** Brass, Machined to a Micro-Smooth Finish, Hard Chromium Plated
- Stem:** 36600 Bar Stock
- Ball Seats:** Conical Rings in P.T.F.E.
- Stem Seal:** Two O-Rings in FPM.
- O-Ring:** EPDM - ASTM D 2000 M2.
- Strainer Screen:** 18/8 ANSI302 Stainless Steel.
- Handle:** Aluminum
- Nut:** Self-Locking Type, Steel ANSI C.1008.

## Applications:

The CIM 226.1 CimPRESS ball valve is manufactured in accordance with MSS-SP-110, PS117-2004, and EN ISO 9001 standards and is designed for direct connection to hard drawn copper and/or stainless steel tube using standard press tools. The CIM 226.1 is suitable for use with non-aggressive fluid applications including residential, industrial, and agricultural systems. (CimPRESS is not intended for use with soft or rolled copper tubing)

## Features:

CimPRESS valves were developed as purpose built valves for standard press attachment to eliminate the need to assemble separate components in the field, which could result in weak/leak points and increased material and labor costs. The CIM 226.1 is manufactured from DZR "CR" corrosion-resistant brass with double EPDM-ASTM D 2000 M2 O-Rings to ensure a leak proof cold crimped seal with added protection against corrosion.

CimPRESS valves eliminate the torch and the need to clean, flux and solder in order to create a permanent watertight valve connection, significantly reducing average installation time while avoiding potential fire risks and other problems associated with sweat connections; saving time and money.

The CIM 226.1 ball valve features an integral strainer designed to collect impurities such as sand, rust, and metal shavings to safeguard pipes and valves from mechanical damage and deposits. The CIM 226.1's compact design incorporates two distinct functions in one unit saving space, time and money and making this valve particularly well suited for OEM applications.

## Connection:

Standard press connection for copper and stainless steel tube plumbing systems x NPT threads ANSI B1.02.1.

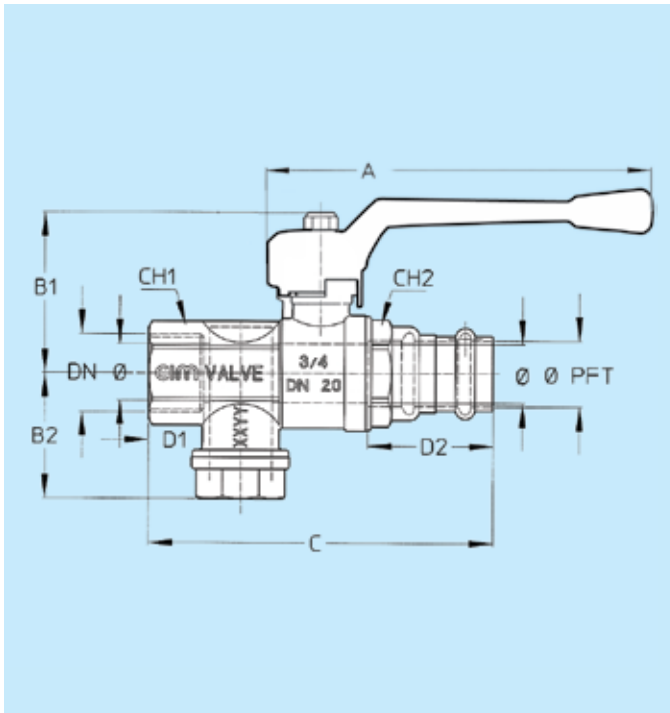
Size	Fast Order No.	Technical ID No.
1/2"	226-04	CIM226-AE04LH-ST
3/4"	226-06	CIM226-AE06LH-ST

All Cimberio valves qualify for the American Recovery and Reinvestment Act and the Buy American Act.

# cimPRESS Full Port Ball Valve w/Integral Strainer

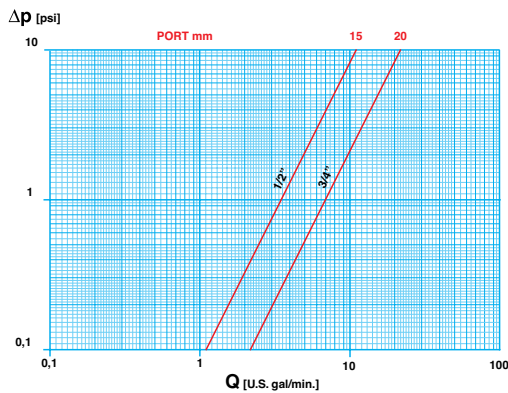
## cim226.1

CimPRESS x FIPT

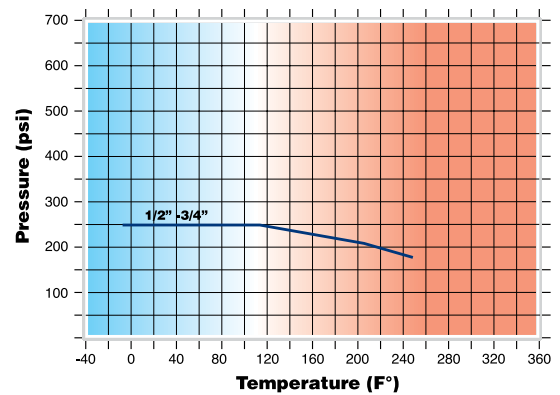


Size	1/2"	3/4"
Port inch	0.59"	0.79"
Port mm	15mm	20mm
A	3-15/16" 100mm	5-1/2" 140mm
B1	2-1/16" 52mm	2-3/16" 56mm
B2	1-1/2" 52mm	1-11/16" 42.5mm
C	4-1/8" 104mm	4-11/16" 118mm
D1	11/16" 15.5mm	3/4" 18.5mm
D2	1-9/16" 40mm	1-3/4" 44mm
CH1	1" 25mm	1-1/4" 31mm
CH2	15/16" 24mm	1-1/4" 32mm
Pounds	0.77	1.22
Grams	350	555
Required Pipe Insertion Depth	1.5580" 39.57mm	1.7380" 44.14mm

### FLOW AND PRESSURE DROP



### PRESSURE/TEMPERATURE RATINGS



### CV CM CS MT

**CV:** Capacity in "U.S. gal/min" at pressure drop of "1 PSI"

**CM:** Working Torque in "lb x in"

**CS:** Starting Torque in "lb x in"

**MT:** Torque Breaking Point on the Stem in "lb x in"

**Element:** Water - Temperature: 59.9° F

	SIZE	1/2"	3/4"
226.1	Ø mm	16	22.3
	Ø inch	0.63	0.88
CV	gal/min	3.5	6.9
CM	N x m lb x in	3 27	5 44
CS	N x m lb x in	6 53	10 89
MT	N x m lb x in	10 89	24 213

**Working Pressure:** 250 PSI

**Max. Operating Temperature:** Working Limit for Fluids -4° F – 248° F

**Test Pressures:** According to ISO 5208