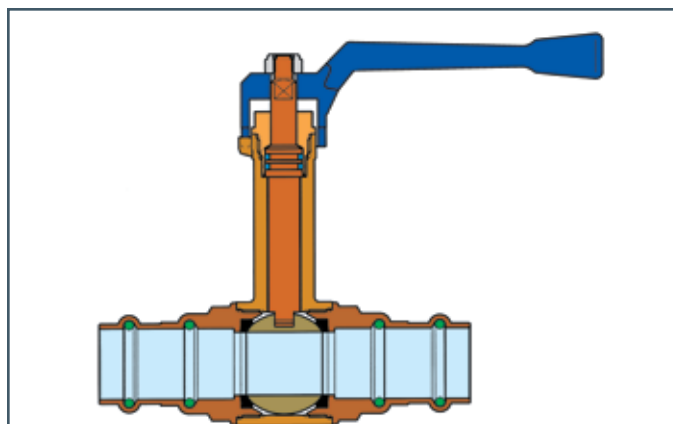


cimPRESS Full Port Ball Valve w/Integral Stem Extension

cim225.1

CimPRESS x CimPRESS



Materials:

- **Body & Extension:** Hot Forged Brass ASTM C37700
- **Ball:** Brass, Machined to a Micro-Smooth Finish, Hard Chromium Plated
- **Ball Seats:** Conical Rings in P.T.F.E.
- **Stem Seal:** O-Rings in NBR - ASTM D 2000 M2
- **O-Ring:** EPDM - ASTM D 2000 M2
- **Handle:** Aluminum
- Nut:** Self-Locking Type, Steel ANSI C.1008.

All Cimberio valves qualify for the American Recovery and Reinvestment Act and the Buy American Act.

Applications:

The CIM 225.1 CimPRESS ball valve is manufactured in accordance with MSS-SP-110, PS117-2004, and EN ISO 9001 standards and is designed for direct connection to hard drawn copper and/or stainless steel tube using standard press tools. The CIM 225.1 is suitable for use with non-aggressive fluid applications including residential, industrial, and agricultural systems. (CimPRESS is not intended for use with soft or rolled copper tubing)

Features:

CimPRESS valves were developed as purpose built valves for standard press attachment to eliminate the need to assemble separate components in the field, which could result in weak/leak points and increased material and labor costs. The CIM 225.1 is manufactured from DZR "CR" corrosion-resistant brass with double EPDM-ASTM D 2000 M2 O-Rings to ensure a leak proof cold crimped seal with added protection against corrosion.

CimPRESS valves eliminate the torch and the need to clean, flux and solder in order to create a permanent watertight valve connection, significantly reducing average installation time while avoiding potential fire risks and other problems associated with sweat connections; saving time and money.

The CIM 225.1 ball valve features an integral stem extension that is part of the body forging. This superior design locates the stem seal, cap stem, and stem nut at the end of the stem extension to accommodate pipe insulation and eliminates the potential leak points typically found with standard stem extension kits.

Connection:

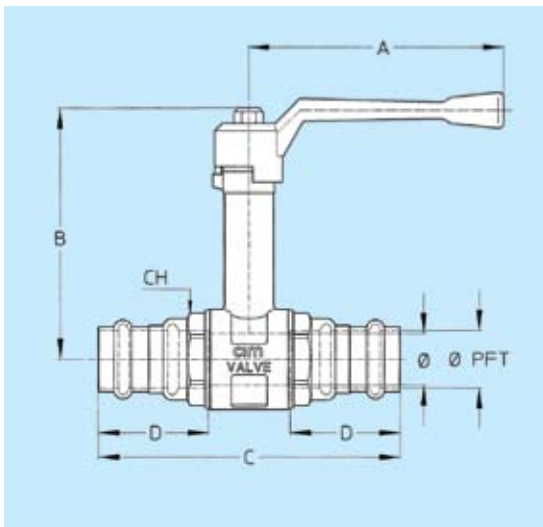
Standard press connection for copper and stainless steel tube plumbing systems.

| Size | Fast Order No. | Technical ID No. |
|--------|----------------|------------------|
| 1/2" | 225-04 | CIM225-E04LH-TS |
| 3/4" | 225-06 | CIM225-E06LH-TS |
| 1" | 225-07 | CIM225-E07LH-TS |
| 1-1/4" | 225-08 | CIM225-E08LH-TS |
| 1-1/2" | 225-09 | CIM225-E09LH-TS |
| 2" | 225-10 | CIM225-E10LH-TS |

cimPRESS Full Port Ball Valve w/Integral Stem Extension

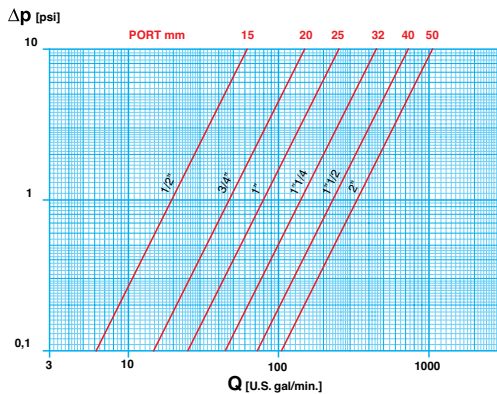
cim225.1

CimPRESS x CimPRESS

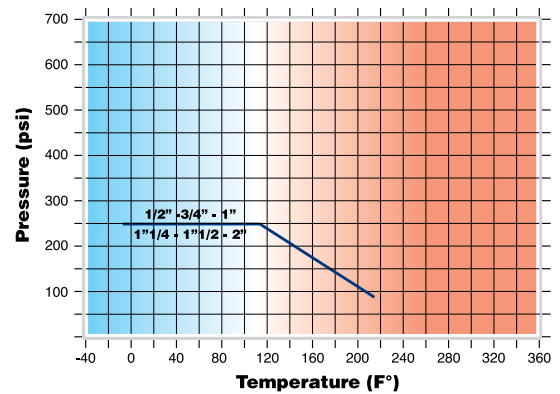


| Size | 1/2" | 3/4" | 1" | 1-1/4" | 1-1/2" | 2" |
|-------------------------------|--------------------|--------------------|--------------------|--------------------|--------------------|-------------------|
| Port inch | 0.59" | 0.79" | 0.98" | 1.26" | 1.57" | 1.97" |
| Port mm | 15mm | 20mm | 25mm | 32mm | 40mm | 50mm |
| A | 3-15/16" 100mm | 5-1/2" 140mm | 5-1/2" 140mm | 6-5/8" 170mm | 7-7/8" 200mm | 7-7/8" 200mm |
| B | 3-11/16" 94mm | 3-7/8" 97.5mm | 4-5/16" 112.5mm | 4-7/8" 124mm | 5-13/16" 148mm | 6-1/8" 155mm |
| C | 4-3/16" 106.5mm | 4-3/4" 120mm | 5" 127.5mm | 5-1/4" 133.5mm | 6-1/8" 155.5mm | 7-1/8" 180.5mm |
| D | 1-9/16" 40mm | 1-3/4" 44mm | 1-3/4" 44mm | 1-11/16" 43mm | 1-15/16" 48.5mm | 2-1/8" 54.5mm |
| CH | 15/16" 24mm | 1-1/4" 32mm | 1-1/2" 38mm | 1-7/8" 48mm | 2-3/16" 55mm | 2-11/16" 68mm |
| Pounds | 0.85 | 1.2 | 1.74 | 2.45 | 3.88 | 5.58 |
| Grams | 385 | 545 | 790 | 1110 | 1760 | 2530 |
| Required Pipe Insertion Depth | 1.5580" 39.57mm | 1.7380" 44.14mm | 1.7310" 43.97mm | 1.6975" 43.12mm | 1.8895" 47.99mm | 2.128" 54.04mm |

FLOW AND PRESSURE DROP



PRESSURE/TEMPERATURE RATINGS



CV CM CS MT

CV: Capacity in "U.S. gal/min" at pressure drop of "1 PSI"

CM: Working Torque in "lb x in"

CS: Starting Torque in "lb x in"

MT: Torque Breaking Point on the Stem in "lb x in"

Element: Water - Temperature: 59.9° F

| 225.1 | SIZE | 1/2" | 3/4" | 1" | 1-1/4" | 1-1/2" | 2" |
|-------|---------|------|------|------|--------|--------|-------|
| | Ø mm | 15 | 20 | 25 | 32 | 40 | 50 |
| | Ø inch | 0.59 | 0.79 | 0.98 | 1.26 | 1.57 | 1.97 |
| CV | gal/min | 19.7 | 47.5 | 78.7 | 142.3 | 229.1 | 335.4 |
| CM | N x m | 3 | 5 | 6 | 7 | 10 | 13 |
| | lb x in | 27 | 44 | 53 | 62 | 89 | 115 |
| CS | N x m | 6 | 10 | 12 | 14 | 20 | 26 |
| | lb x in | 53 | 89 | 106 | 124 | 177 | 230 |
| MT | N x m | 10 | 24 | 24 | 45 | 90 | 90 |
| | lb x in | 89 | 213 | 213 | 399 | 797 | 797 |

Working Pressure: 250 PSI

Max. Operating Temperature: Working Limit for Fluids -4° F – 212° F

Test Pressures: According to ISO 5208