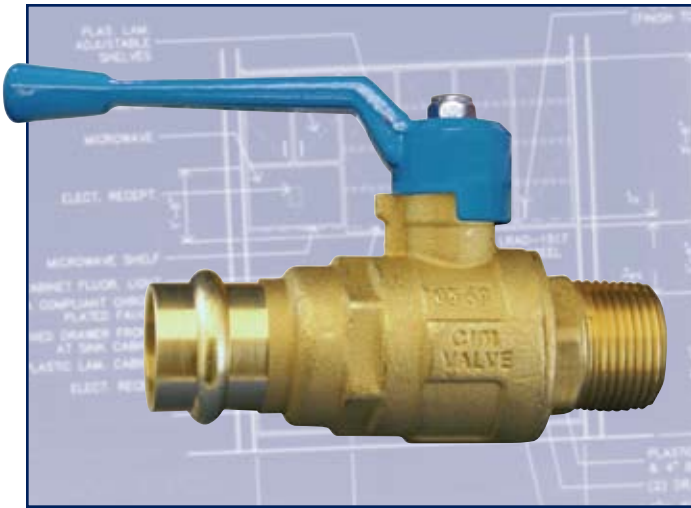


# cimPRESS Full Port Ball Valve

cim222.1

CimPRESS x MIPT



## Applications:

The CIM 222.1 CimPRESS ball valve is manufactured in accordance with MSS-SP-110, PS117-2004, and EN ISO 9001 standards and is designed for direct connection to hard drawn copper and/or stainless steel tube using standard press tools. The CIM 222.1 is suitable for use with non-aggressive fluid applications including residential, industrial, and agricultural systems. (CimPRESS is not intended for use with soft or rolled copper tubing)

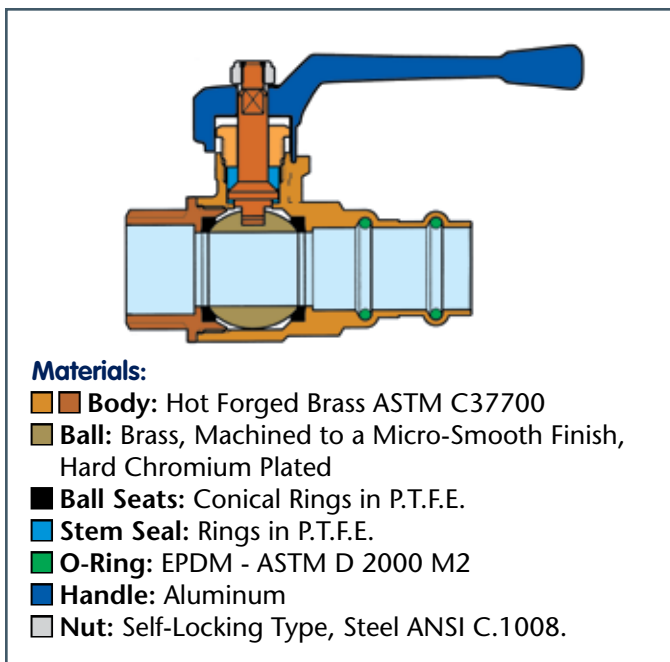
## Features:

CimPRESS valves were developed as purpose built valves for standard press attachment to eliminate the need to assemble separate components in the field, which could result in weak/leak points and increased material and labor costs. The CIM 222.1 is manufactured from DZR "CR" corrosion-resistant brass with double EPDM-ASTM D 2000 M2 O-Rings to ensure a leak proof cold crimped seal with added protection against corrosion.

CimPRESS valves eliminate the torch and the need to clean, flux and solder in order to create a permanent watertight valve connection, significantly reducing average installation time while avoiding potential fire risks and other problems associated with sweat connections; saving time and money.

## Connection:

Standard press connection for copper and stainless steel tube plumbing systems x NPT threads ANSI B 1.20.1



## Materials:

- **Body:** Hot Forged Brass ASTM C37700
- **Ball:** Brass, Machined to a Micro-Smooth Finish, Hard Chromium Plated
- **Ball Seats:** Conical Rings in P.T.F.E.
- **Stem Seal:** Rings in P.T.F.E.
- **O-Ring:** EPDM - ASTM D 2000 M2
- **Handle:** Aluminum
- **Nut:** Self-Locking Type, Steel ANSI C.1008.

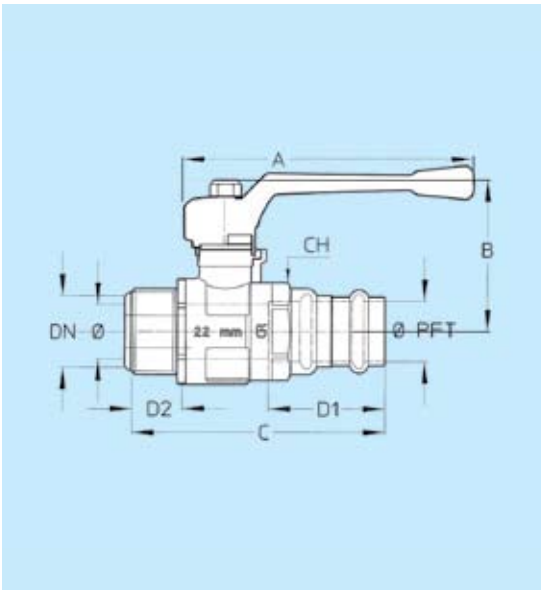
All Cimberio valves qualify for the American Recovery and Reinvestment Act and the Buy American Act.

Size	Fast Order No.	Technical ID No.
1/2"	222-04	CIM222-BE04LH
3/4"	222-06	CIM222-BE06LH
1"	222-07	CIM222-BE07LH
1-1/4"	222-08	CIM222-BE08LH
1-1/2"	222-09	CIM222-BE09LH
2"	222-10	CIM222-BE10LH

# cimPRESS Full Port Ball Valve

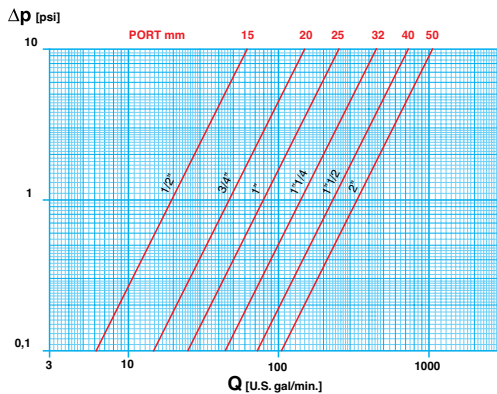
cim222.1

CimPRESS x MIPT

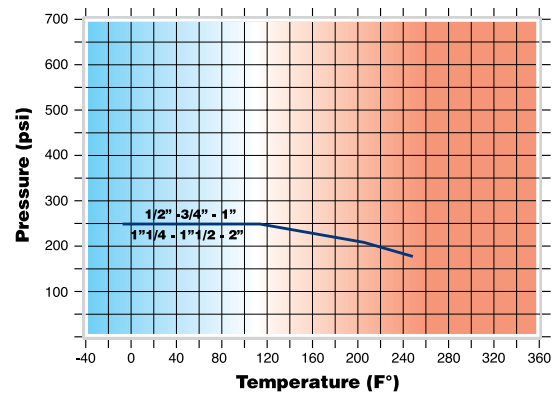


Size	1/2"	3/4"	1"	1-1/4"	1-1/2"	2"
Port inch	0.59"	0.79"	0.98"	1.26"	1.57"	1.97"
Port mm	15mm	20mm	25mm	32mm	40mm	50mm
A	3-15/16" 100mm	5-1/2" 140mm	5-1/2" 140mm	6-5/8" 170mm	7-7/8" 200mm	7-7/8" 200mm
B	2-1/16" 52mm	2-3/16" 56mm	2-3/8" 60mm	2-7/8" 72.5mm	3-1/2" 88.5mm	3-3/4" 95.5mm
C	3-5/16" 83.5mm	3-11/16" 94mm	4-1/8" 105mm	4-7/16" 112.5mm	5-1/8" 131mm	6" 152.5mm
D1	1-9/16" 40mm	1-3/4" 44mm	1-3/4" 44mm	1-11/16" 43mm	1-15/16" 48.5mm	2-1/8" 54.5mm
D2	11/16" 17mm	3/4" 18.5mm	13/16" 21mm	7/8" 22.5	15/16" 23mm	1-1/16" 26.5mm
CH	15/16" 24mm	1-1/4" 32mm	1-1/2" 38mm	1-7/8" 48mm	2-3/16" 55mm	2-11/16" 68mm
Pounds	0.53	0.88	1.31	2.06	3.01	4.52
Grams	240	400	595	935	1365	2050
Required Pipe Insertion Depth	1.5580" 39.57mm	1.7380" 44.14mm	1.7310" 43.97mm	1.6975" 43.12mm	1.8895" 47.99mm	2.128" 54.04mm

## FLOW AND PRESSURE DROP



## PRESSURE/TEMPERATURE RATINGS



## CV CM CS MT

**CV:** Capacity in "U.S. gal/min" at pressure drop of "1 PSI"

**CM:** Working Torque in "lb x in"

**CS:** Starting Torque in "lb x in"

**MT:** Torque Breaking Point on the Stem in "lb x in"

**Element:** Water - Temperature: 59.9° F

	SIZE	1/2"	3/4"	1"	1-1/4"	1-1/2"	2"
222.1	Ø mm	15	20	25	32	40	50
	Ø inch	0.59	0.79	0.98	1.26	1.57	1.97
CV	gal/min	19.7	47.5	78.7	142.3	229.1	335.4
CM	N x m	3	5	6	7	10	13
	lb x in	27	44	53	62	89	115
CS	N x m	6	10	12	14	20	26
	lb x in	53	89	106	124	177	230
MT	N x m	10	24	24	45	90	90
	lb x in	89	213	213	399	797	797

**Working Pressure:** 250 PSI

**Max. Operating Temperature:** Working Limit for Fluids -4° F – 248° F

**Test Pressures:** According to ISO 5208