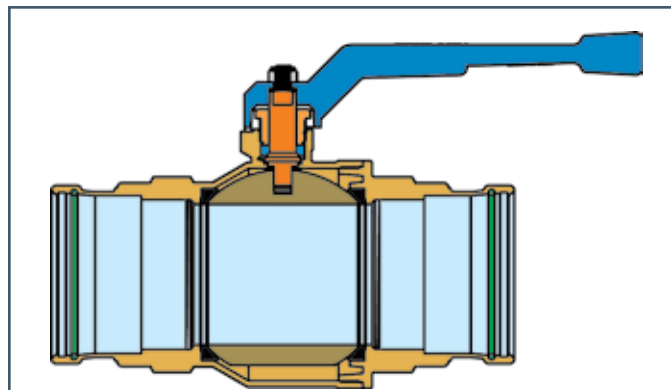


cimPRESS XLC Full Port Ball Valve

cim220XLC.1

CimPRESS x CimPRESS



Materials:

- **Body:** Hot Forged Brass ASTM C37700
- **Ball:** Brass, Machined to a Micro-Smooth Finish, Hard Chromium Plated
- **Ball Seats:** Conical Rings in P.T.F.E.
- **Stem Seal:** Rings in P.T.F.E.
- **O-Ring:** EPDM - ASTM D 2000 M2
- **Handle:** Aluminum
- **Nut:** Self-Locking Type, Steel ANSI C.1008.

All Cimberio valves qualify for the American Recovery and Reinvestment Act and the Buy American Act.

Applications:

The CIM 220XLC.1 CimPRESS ball valve is manufactured in accordance with MSS-SP-110, PS117-2004, and EN ISO 9001 standards and is designed for direct connection to hard drawn copper and/or stainless steel tube using standard press tools with XL-C jaws and rings. The CIM 220XLC.1 is suitable for use with non-aggressive fluid applications including residential, industrial, and agricultural systems. (CimPRESS is not intended for use with soft or rolled copper tubing)

Features:

CimPRESS valves were developed as purpose built valves for standard press attachment to eliminate the need to assemble separate components in the field, which could result in weak/leak points and increased material and labor costs. The CIM 220XLC.1 is manufactured from DZR "CR" corrosion-resistant brass with EPDM-ASTM D 2000 M2 O-Rings to ensure a leak proof cold crimped seal with added protection against corrosion.

CimPRESS valves eliminate the torch and the need to clean, flux and solder in order to create a permanent watertight valve connection, significantly reducing average installation time while avoiding potential fire risks and other problems associated with sweat connections; saving time and money.

Connection:

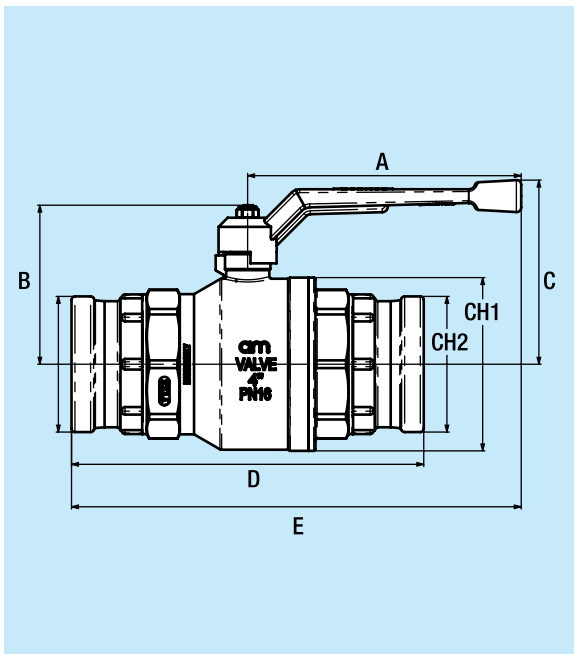
Standard press connection for copper and stainless steel tube plumbing systems. *For use with XL-C press jaws and rings only.*

Size	Fast Order No.	Technical ID No.
2-1/2"	220XLC-11	CIM220XLC-E11LH
3"	220XLC-12	CIM220XLC-E12LH
4"	220XLC-14	CIM220XLC-E14LH

cimPRESS XLC Full Port Ball Valve

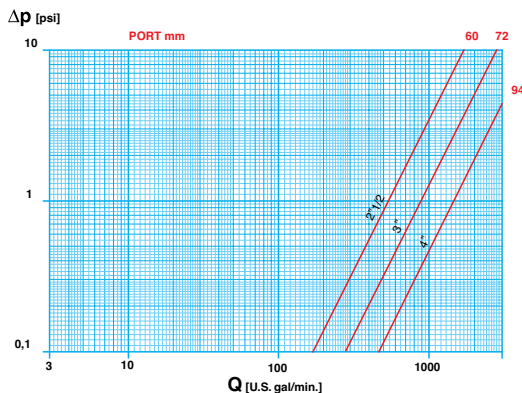
cim 220XLC.1

CimPRESS x CimPRESS

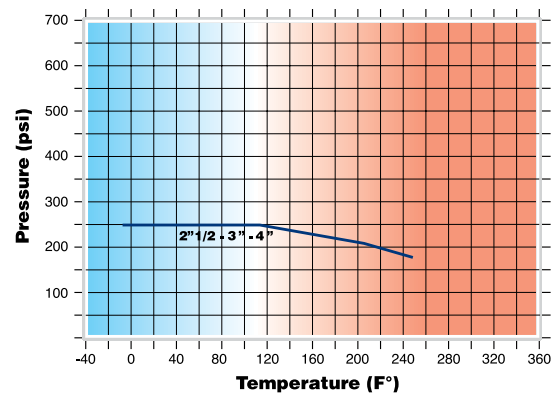


Size Port inch Port mm	2-1/2" 2.52" 64mm	3" 2.99" 76mm	4" 3.94" 100mm
A	9-7/16" 240mm	9-7/16" 240mm	9-7/16" 240mm
B	4-9/16" 115.5mm	4-7/8" 124.5mm	5-1/2" 139.5mm
C	5-7/16" 137.5mm	5-3/4" 146.5mm	6-3/8" 161.5mm
D	10-3/16" 259mm	10-7/8" 276mm	12-3/16" 309mm
E	14-9/16" 369.5mm	14-7/8" 378mm	15-1/2" 394.5mm
CH1	4-1/16" 103mm	4-3/4" 121mm	6" 152mm
CH2	3-3/16" 80.5mm	3-11/16" 93.5mm	4-11/16" 119mm
Pounds Grams	10.12 4590	13.36 6058	21.86 9914
Required Pipe Insertion Depth	2.1685" 55.08mm	2.1525" 54.67mm	2.3565" 59.85mm

FLOW AND PRESSURE DROP



PRESSURE/TEMPERATURE RATINGS



CV CM CS MT

CV: Capacity in "U.S. gal/min" at pressure drop of "1 PSI"

CM: Working Torque in "lb x in"

CS: Starting Torque in "lb x in"

MT: Torque Breaking Point on the Stem in "lb x in"

Element: Water - Temperature: 59.9° F

	SIZE	2-1/2"	3"	4"
220XLC.1	Ø mm	64	76	100
	Ø inch	2.52	2.99	3.94
CV	gal/min	532.4	865.4	1417.1
CM	N x m	15	19	29
	lb x in	133	168	257
CS	N x m	30	38	58
	lb x in	266	337	514
MT	N x m	280	280	550
	lb x in	2480	2480	4872

Working Pressure: 250 PSI

Max. Operating Temperature: Working Limit for Fluids -4° F – 248° F

Test Pressures: According to ISO 5208