

# cimPRESS XLB Full Port Ball Valve

## cim 220XLB.1

CimPRESS x CimPRESS



### Applications:

The CIM 220XLB.1 CimPRESS ball valve is manufactured in accordance with MSS-SP-110, PS117-2004, and EN ISO 9001 standards and is designed for direct connection to hard drawn copper and/or stainless steel tube using standard press tools with XL jaws and rings. The CIM 220XLB.1 is suitable for use with non-aggressive fluid applications including residential, industrial, and agricultural systems. (CimPRESS is not intended for use with soft or rolled copper tubing)

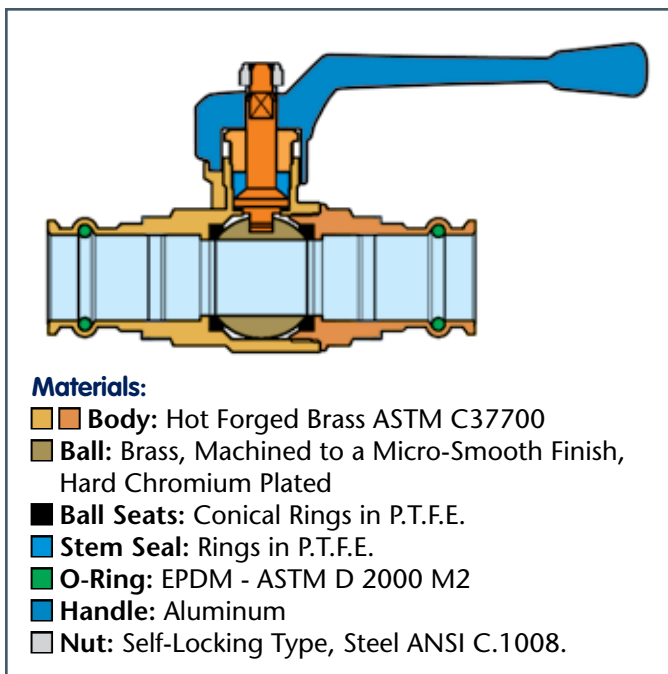
### Features:

CimPRESS valves were developed as purpose built valves for standard press attachment to eliminate the need to assemble separate components in the field, which could result in weak/leak points and increased material and labor costs. The CIM 220XLB.1 is manufactured from DZR "CR" corrosion-resistant brass with EPDM-ASTM D 2000 M2 O-Rings to ensure a leak proof cold crimped seal with added protection against corrosion.

CimPRESS valves eliminate the torch and the need to clean, flux and solder in order to create a permanent watertight valve connection, significantly reducing average installation time while avoiding potential fire risks and other problems associated with sweat connections; saving time and money.

### Connection:

Standard press connection for copper and stainless steel tube plumbing systems. *For use with XL press jaws and rings only.*



### Materials:

- Body: Hot Forged Brass ASTM C37700
- Ball: Brass, Machined to a Micro-Smooth Finish, Hard Chromium Plated
- Ball Seats: Conical Rings in P.T.F.E.
- Stem Seal: Rings in P.T.F.E.
- O-Ring: EPDM - ASTM D 2000 M2
- Handle: Aluminum
- Nut: Self-Locking Type, Steel ANSI C.1008.

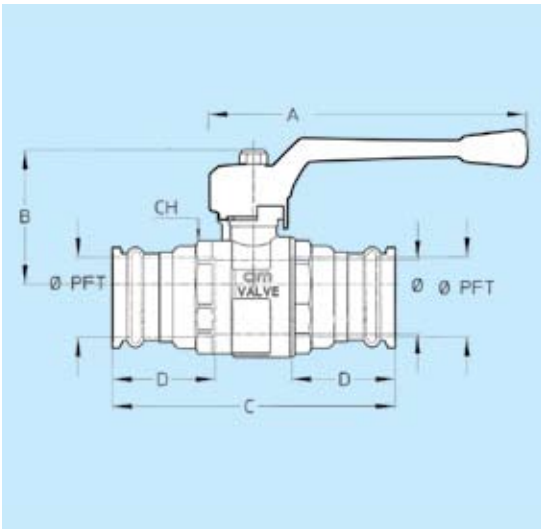
All Cimberio valves qualify for the American Recovery and Reinvestment Act and the Buy American Act.

Size	Fast Order No.	Technical ID No.
2-1/2"	220XLB-11	CIM220XLB-E11LH
3"	220XLB-12	CIM220XLB-E12LH
4"	220XLB-14	CIM220XLB-E14LH

# cimPRESS XLB Full Port Ball Valve

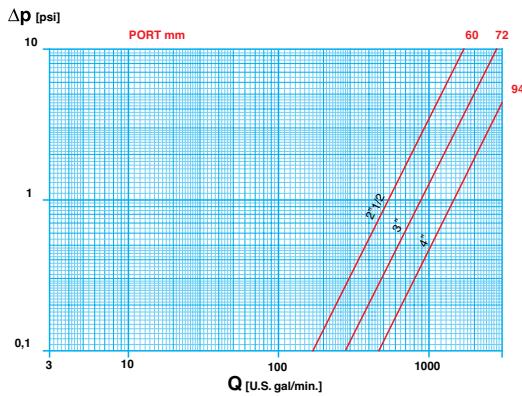
## cim 220XLB.1

CimPRESS x CimPRESS

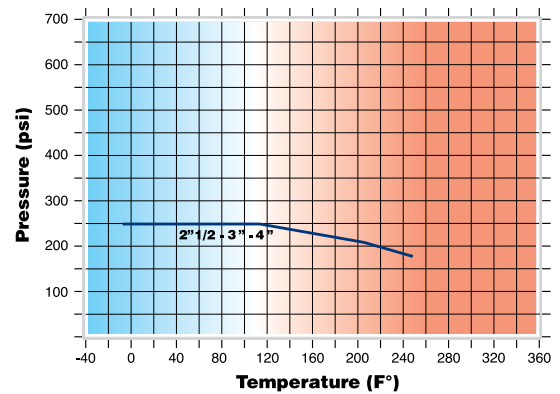


Size Port inch Port mm	2-1/2" 2.36" 60mm	3" 2.83" 72mm	4" 3.7" 94mm
A	9-7/16" 240mm	9-7/16" 240mm	9-7/16" 240mm
B	5-7/16" 137.5mm	5-3/4" 146.5mm	6-3/8" 161.5mm
C	10-1/4" 259mm	10-7/8" 276mm	12-3/16" 309mm
D	2-3/16" 55mm	2-3/16" 55mm	2-3/8" 60mm
CH	3-1/4" 82mm	3-3/4" 96mm	4-7/8" 123mm
Pounds Grams	9.83 4465	12.95 5880	21.37 9700
Required Pipe Insertion Depth	2.1720" 55.16mm	2.1675" 55.06mm	2.3670" 60.12mm

### FLOW AND PRESSURE DROP



### PRESSURE/TEMPERATURE RATINGS



### CV CM CS MT

**CV:** Capacity in "U.S. gal/min" at pressure drop of "1 PSI"

**CM:** Working Torque in "lb x in"

**CS:** Starting Torque in "lb x in"

**MT:** Torque Breaking Point on the Stem in "lb x in"

**Element:** Water - Temperature: 59.9° F

220XLB.1	SIZE	2-1/2"	3"	4"
	Ø mm	60	72	94
	Ø inch	2.36	2.83	3.7
CV	gal/min	532.4	865.4	1417.1
CM	N x m	15	19	29
	lb x in	133	168	257
CS	N x m	30	38	58
	lb x in	266	337	514
MT	N x m	280	280	550
	lb x in	2480	2480	4872

**Working Pressure:** 250 PSI

**Max. Operating Temperature:** Working Limit for Fluids -4° F – 248° F

**Test Pressures:** According to ISO 5208