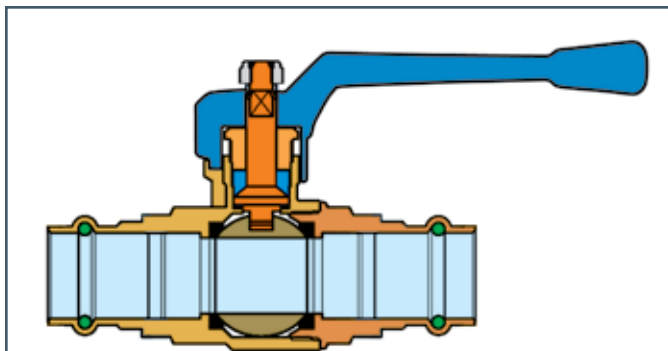


cimPRESS XL-N Full Port Ball Valve

cim220XL-N.1

CimPRESS x CimPRESS • For Use with **NIBCO® presssystem™** Only



Materials:

- **Body:** Hot Forged Brass ASTM C37700
- **Ball:** Brass, Machined to a Micro-Smooth Finish, Hard Chromium Plated
- **Ball Seats:** Conical Rings in P.T.F.E.
- **Stem Seal:** Rings in P.T.F.E.
- **O-Ring:** EPDM - ASTM D 2000 M2
- **Handle:** Aluminum
- **Nut:** Self-Locking Type, Steel ANSI C.1008.

Applications:

The CIM 220XL-N.1 CimPRESS ball valve is manufactured in accordance with MSS-SP-110, PS117-2004, and EN ISO 9001 standards and is designed for direct connection to hard drawn copper and/or stainless steel tube using standard press tools with Nibco jaws. The CIM 220XL-N.1 is suitable for use with non-aggressive fluid applications including residential, industrial, and agricultural systems. (CimPRESS is not intended for use with soft or rolled copper tubing)

Features:

CimPRESS valves were developed as purpose built valves for standard press attachment to eliminate the need to assemble separate components in the field, which could result in weak/leak points and increased material and labor costs. The CIM 220XL-N.1 is manufactured from DZR "CR" corrosion-resistant brass with EPDM-ASTM D 2000 M2 O-Rings to ensure a leak proof cold crimped seal with added protection against corrosion.

CimPRESS valves eliminate the torch and the need to clean, flux and solder in order to create a permanent watertight valve connection, significantly reducing average installation time while avoiding potential fire risks and other problems associated with sweat connections; saving time and money.

Connection:

Standard press connection for copper and stainless steel tube plumbing systems.

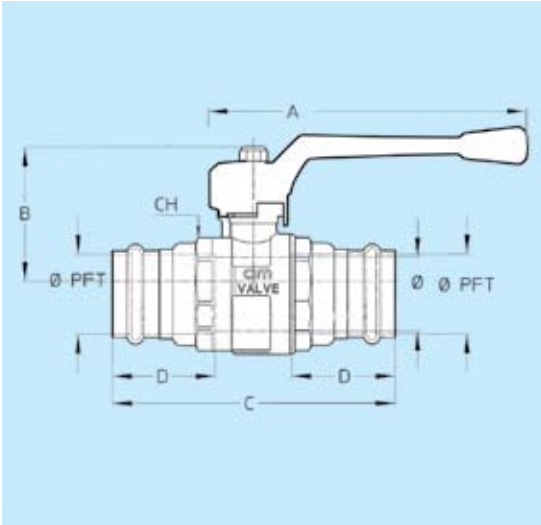
NIBCO® presssystem™
For use with Nibco Press System 2-1/2" – 4" pressing chains and adapter jaws only.

Size	Fast Order No.	Technical ID No.	List Price
2-1/2"	220XL-N-11	CIM220XL-N-E11LH	\$384.56
3"	220XL-N-12	CIM220XL-N-E12LH	\$467.98
4"	220XL-N-14	CIM220XL-N-E14LH	\$710.40

cimPRESS XL-N Full Port Ball Valve

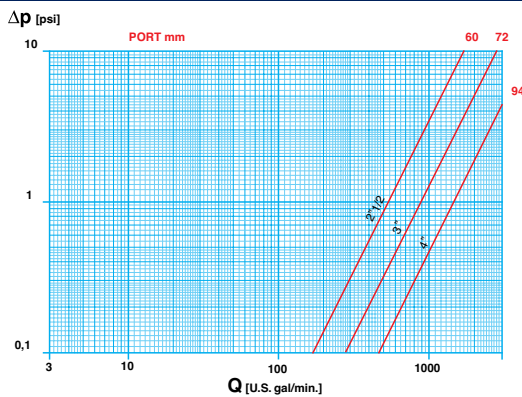
cim 220XL-N.1

CimPRESS x CimPRESS • For Use with **NIBCO® presssystem™** Only

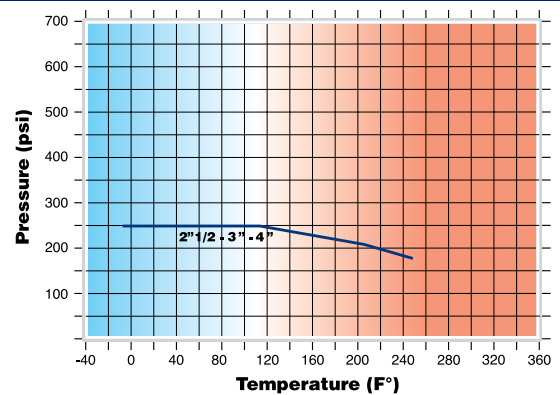


Size Port inch Port mm	2-1/2" 2.36" 60mm	3" 2.83" 72mm	4" 3.7" 94mm
A	9-7/16" 240mm	9-7/16" 240mm	9-7/16" 240mm
B	5-7/16" 137.5mm	5-3/4" 146.5mm	6-3/8" 161.5mm
C	10-1/4" 259mm	10-7/8" 276mm	12-3/16" 309mm
D	2-3/16" 55mm	2-3/16" 55mm	2-3/8" 60mm
CH	3-1/4" 82mm	3-3/4" 96mm	4-7/8" 123mm
Pounds Grams	9.83 4465	12.95 5880	21.37 9700
Required Pipe Insertion Depth	2.1720" 55.16mm	2.1675" 55.06mm	2.3670" 60.12mm

FLOW AND PRESSURE DROP



PRESSURE/TEMPERATURE RATINGS



CV CM CS MT

CV: Capacity in "U.S. gal/min" at pressure drop of "1 PSI"

CM: Working Torque in "lb x in"

CS: Starting Torque in "lb x in"

MT: Torque Breaking Point on the Stem in "lb x in"

Element: Water - Temperature: 59.9° F

	SIZE	2-1/2"	3"	4"
220XL-N.1	Ø mm	60	72	94
	Ø inch	2.36	2.83	3.7
CV	gal/min	532.4	865.4	1417.1
CM	N x m	15	19	29
	lb x in	133	168	257
CS	N x m	30	38	58
	lb x in	266	337	514
MT	N x m	280	280	550
	lb x in	2480	2480	4872

Working Pressure: 250 PSI

Max. Operating Temperature: Working Limit for Fluids -4° F – 248° F

Test Pressures: According to ISO 5208