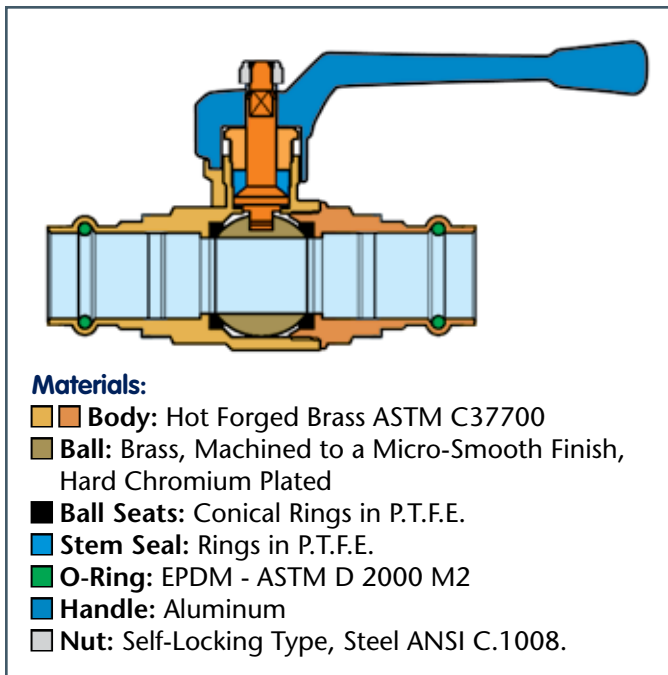


cimPRESS XL-N Full Port Ball Valve

cim 220XL-N.1

CimPRESS x CimPRESS • For Use with NIBCO® Press System® Only



Materials:

- Body: Hot Forged Brass ASTM C37700
- Ball: Brass, Machined to a Micro-Smooth Finish, Hard Chromium Plated
- Ball Seats: Conical Rings in P.T.F.E.
- Stem Seal: Rings in P.T.F.E.
- O-Ring: EPDM - ASTM D 2000 M2
- Handle: Aluminum
- Nut: Self-Locking Type, Steel ANSI C.1008.

Applications:

The CIM 220XL-N.1 CimPRESS ball valve is manufactured in accordance with MSS-SP-110, PS117-2004, and EN ISO 9001 standards and is designed for direct connection to hard drawn copper tube using only the appropriate tool, jaws, and adapter as specified by the manufacturer. The CIM 220XL-N.1 is suitable for use with non-aggressive fluid applications including residential, industrial, and agricultural systems. (CimPRESS is not intended for use with soft or rolled copper tubing)

Features:

CimPRESS valves were developed as purpose built valves for copper press attachment to eliminate the need to assemble separate components in the field, which could result in weak/leak points and increased material and labor costs. The CIM 220XL-N.1 is manufactured from DZR "CR" corrosion-resistant brass with EPDM-ASTM D 2000 M2 O-Rings to ensure a leak proof cold crimped seal with added protection against corrosion.

CimPRESS valves eliminate the torch and the need to clean, flux and solder in order to create a permanent watertight valve connection, significantly reducing average installation time while avoiding potential fire risks and other problems associated with sweat connections; saving time and money.

Connection:

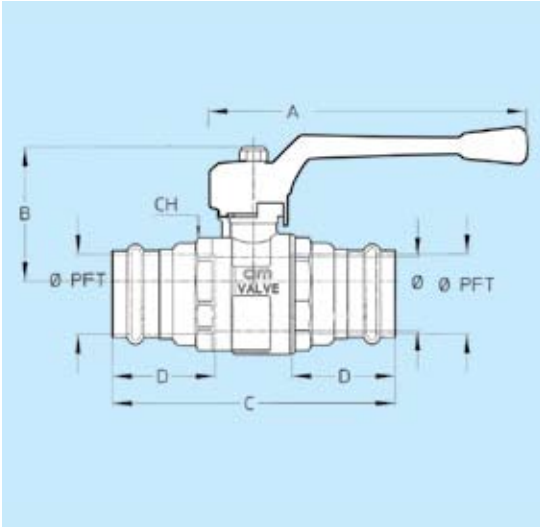
For use with NIBCO® Press System® 2-1/2" – 4" pressing tools, chains, and adapter jaws only.

Size	Fast Order No.	Technical ID No.
2-1/2"	220XL-N-11	CIM220XL-N-E11LH
3"	220XL-N-12	CIM220XL-N-E12LH
4"	220XL-N-14	CIM220XL-N-E14LH

cimPRESS XL-N Full Port Ball Valve

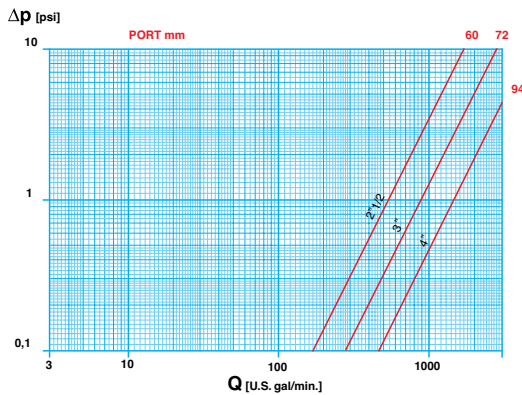
cim 220XL-N.1

CimPRESS x CimPRESS • For Use with NIBCO® Press System® Only

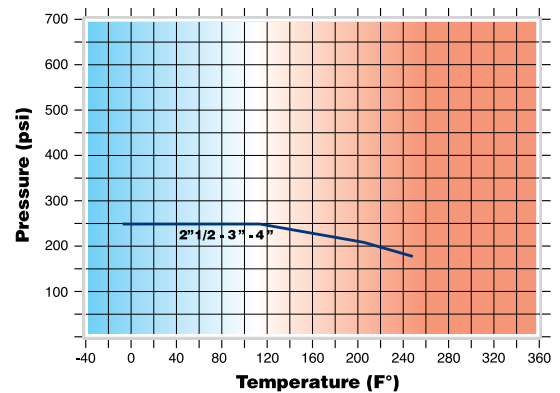


Size Port inch Port mm	2-1/2" 2.36" 60mm	3" 2.83" 72mm	4" 3.7" 94mm
A	9-7/16" 240mm	9-7/16" 240mm	9-7/16" 240mm
B	5-7/16" 137.5mm	5-3/4" 146.5mm	6-3/8" 161.5mm
C	10-1/4" 259mm	10-7/8" 276mm	12-3/16" 309mm
D	2-3/16" 55mm	2-3/16" 55mm	2-3/8" 60mm
CH	3-1/4" 82mm	3-3/4" 96mm	4-7/8" 123mm
Pounds Grams	9.83 4465	12.95 5880	21.37 9700
Required Pipe Insertion Depth	2.1720" 55.16mm	2.1675" 55.06mm	2.3670" 60.12mm

FLOW AND PRESSURE DROP



PRESSURE/TEMPERATURE RATINGS



CV CM CS MT

CV: Capacity in "U.S. gal/min" at pressure drop of "1 PSI"

CM: Working Torque in "lb x in"

CS: Starting Torque in "lb x in"

MT: Torque Breaking Point on the Stem in "lb x in"

Element: Water - Temperature: 59.9° F

	SIZE	2-1/2"	3"	4"
220XL-N.1	Ø mm	60	72	94
	Ø inch	2.36	2.83	3.7
CV	gal/min	532.4	865.4	1417.1
CM	N x m	15	19	29
	lb x in	133	168	257
CS	N x m	30	38	58
	lb x in	266	337	514
MT	N x m	280	280	550
	lb x in	2480	2480	4872

Working Pressure: 250 PSI

Max. Operating Temperature: Working Limit for Fluids -4° F – 248° F

Test Pressures: According to ISO 5208