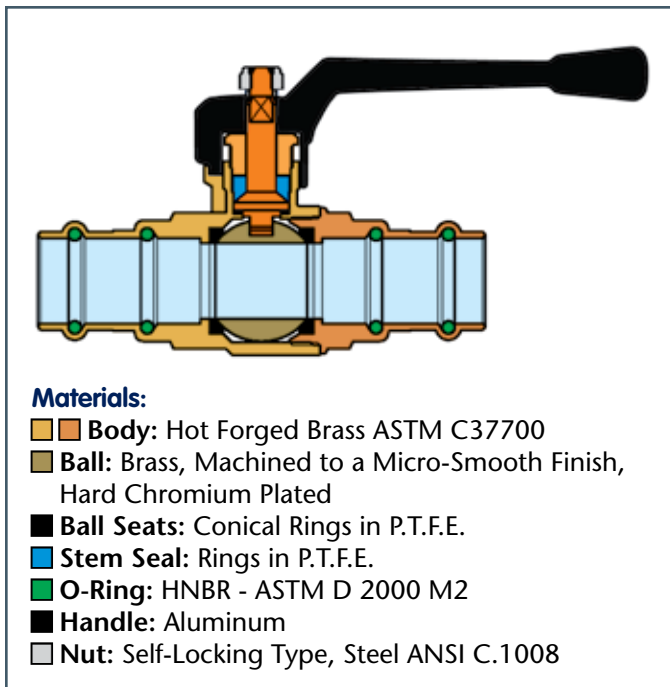


cimPRESS Full Port Ball Valve

cim 220DK.1

CimPRESS x CimPRESS • For Petroleum Services



Materials:

- Body:** Hot Forged Brass ASTM C37700
- Ball:** Brass, Machined to a Micro-Smooth Finish, Hard Chromium Plated
- Ball Seats:** Conical Rings in P.T.F.E.
- Stem Seal:** Rings in P.T.F.E.
- O-Ring:** HNBR - ASTM D 2000 M2
- Handle:** Aluminum
- Nut:** Self-Locking Type, Steel ANSI C.1008

All Cimberio valves qualify for the American Recovery and Reinvestment Act and the Buy American Act.

Applications:

The CIM 220DK.1 CimPRESS ball valve is manufactured in accordance with MSS-SP-110, PS117-2004, and EN ISO 9001 standards and is designed for direct connection to hard drawn copper and/or stainless steel tube using standard press tools. The CIM 220DK.1 is suitable for use with petroleum and petrochemical applications including residential and industrial systems. (CimPRESS is not intended for use with soft or rolled copper tubing)

Features:

CimPRESS valves were developed as purpose built valves for standard press attachment to eliminate the need to assemble separate components in the field, which could result in weak/leak points and increased material and labor costs. The CIM 220DK.1 is manufactured from DZR "CR" corrosion-resistant brass with double HNBR-ASTM D 2000 M2 O-Rings to ensure a leak proof cold crimped seal with added protection against corrosion. CimPRESS valves eliminate the torch and the need to clean, flux and solder in order to create a permanent watertight valve connection, significantly reducing average installation time while avoiding potential fire risks and other problems associated with sweat connections; saving time and money.

The CimPRESS™ CIM 220DK.1 ball valve is similar to the CIM 220L.1 but features double HNBR O-rings for petrochemical applications. The O-rings as well as the valve's handle are colored black for easy identification.

Connection:

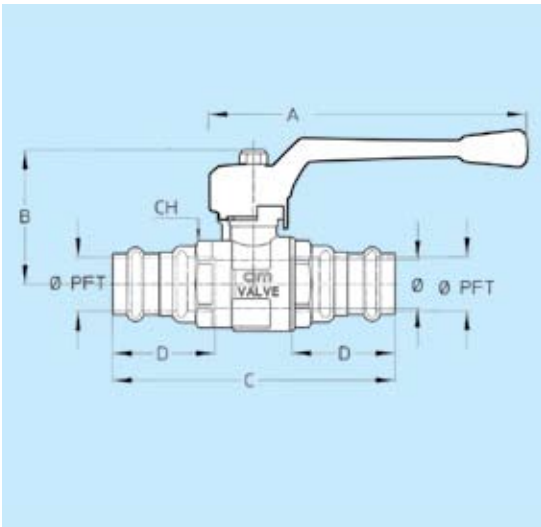
Standard press connection for copper and stainless steel tube plumbing systems.

Size	Fast Order No.	Technical ID No.
1/2"	220DK-04	CIM220DK-E04LH
3/4"	220DK-06	CIM220DK-E06LH
1"	220DK-07	CIM220DK-E07LH
1-1/4"	220DK-08	CIM220DK-E08LH
1-1/2"	220DK-09	CIM220DK-E09LH
2"	220DK-10	CIM220DK-E10LH

cimPRESS Full Port Ball Valve

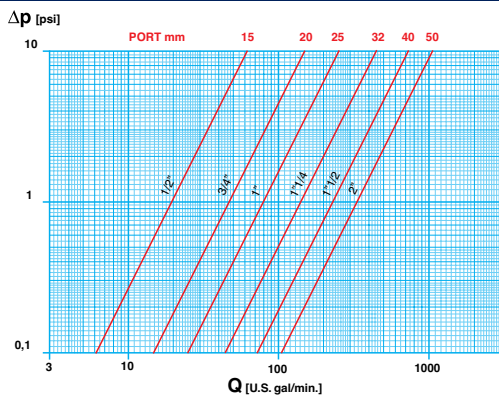
cim220DK.1

CimPRESS x CimPRESS • For Petroleum Services

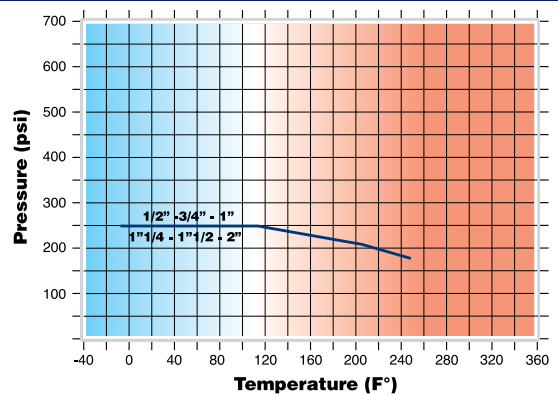


Size	1/2"	3/4"	1"	1-1/4"	1-1/2"	2"
Port inch	0.59"	0.79"	0.98"	1.26"	1.57"	1.97"
Port mm	15mm	20mm	25mm	32mm	40mm	50mm
A	3-15/16"	5-1/2"	5-1/2"	6-5/8"	7-7/8"	7-7/8"
	100mm	140mm	140mm	170mm	200mm	200mm
B	2-1/16"	2-3/16"	2-3/8"	2-7/8"	3-1/2"	3-3/4"
	52mm	56mm	60mm	72.5mm	88.5mm	95.5mm
C	4-3/16"	4-3/4"	5"	5-1/4"	6-1/8"	7-1/8"
	106mm	120mm	127.5mm	133mm	155mm	180mm
D	1-9/16"	1-3/4"	1-3/4"	1-11/16"	1-15/16"	2-1/8"
	40mm	44mm	44mm	43mm	48.5mm	54.5mm
CH	15/16"	1-1/4"	1-1/2"	1-7/8"	2-3/16"	2-11/16"
	24mm	32mm	38mm	48mm	55mm	68mm
Pounds	0.57	0.96	1.29	2.01	3.12	4.38
Grams	260	435	585	910	1410	1985
Required Pipe	1.5580"	1.7380"	1.7310"	1.6975"	1.8895"	2.128"
Insertion Depth	39.57mm	44.14mm	43.97mm	43.12mm	47.99mm	54.04mm

FLOW AND PRESSURE DROP



PRESSURE/TEMPERATURE RATINGS



CV CM CS MT

CV: Capacity in "U.S. gal/min" at pressure drop of "1 PSI"

CM: Working Torque in "lb x in"

CS: Starting Torque in "lb x in"

MT: Torque Breaking Point on the Stem in "lb x in"

Element: Petroleum Based Liquid

	SIZE	1/2"	3/4"	1"	1-1/4"	1-1/2"	2"
220DK.1	Ø mm	15	20	25	32	40	50
	Ø inch	0.59	0.79	0.98	1.26	1.57	1.97
CV	gal/min	19.7	47.5	78.7	142.3	229.1	335.4
CM	N x m	3	5	6	7	10	13
	lb x in	27	44	53	62	89	115
CS	N x m	6	10	12	14	20	26
	lb x in	53	89	106	124	177	230
MT	N x m	10	24	24	45	90	90
	lb x in	89	213	213	399	797	797

Working Pressure: 250 PSI

Max. Operating Temperature: Working Limit for Fluids -4° F – 248° F

Test Pressures: According to ISO 5208