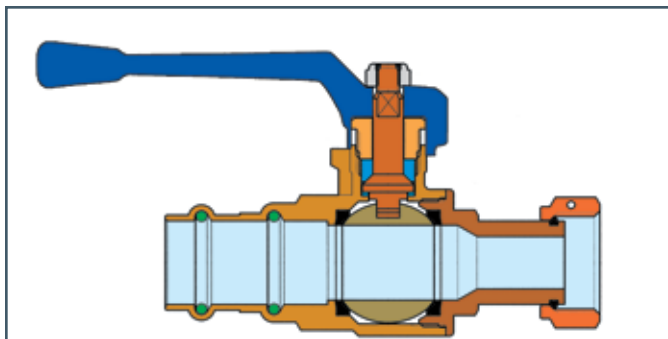
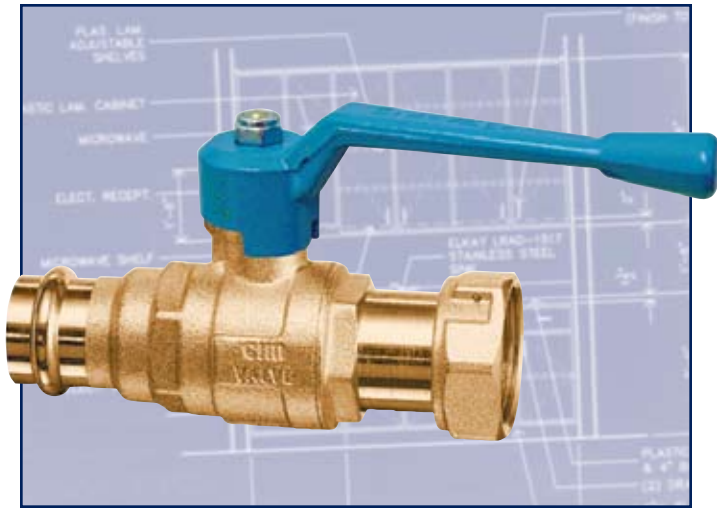


# cimPRESS Water Meter Ball Valve

cim218.1

CimPRESS x FIPT Swivel Nut



### Materials:

- **Body:** Hot Forged Brass ASTM C37700
- **Ball:** Brass, Machined to a Micro-Smooth Finish, Hard Chromium Plated
- **Stem:** 36600 Bar Stock
- **Nut:** Hot Forged Brass ASTM C37700
- **Ball Seats:** Conical Rings in P.T.F.E.
- **Stem Seal:** Two O-Rings in FPM.
- **O-Ring:** EPDM - ASTM D 2000 M2.
- **Handle:** Aluminum
- **Nut:** Self-Locking Type, Steel ANSI C.1008.

All Cimberio valves qualify for the American Recovery and Reinvestment Act and the Buy American Act.

### Applications:

The CIM 218.1 CimPRESS ball valve is manufactured in accordance with MSS-SP-110, PS117-2004, and EN ISO 9001 standards and is designed for direct connection to hard drawn copper and/or stainless steel tube using standard press tools. The CIM 218.1 is suitable for use with non-aggressive fluid applications including residential, industrial, and agricultural systems. (CimPRESS is not intended for use with soft or rolled copper tubing)

### Features:

CimPRESS valves were developed as purpose built valves for standard press attachment to eliminate the need to assemble separate components in the field, which could result in weak/leak points and increased material and labor costs. The CIM 218.1 is manufactured from DZR "CR" corrosion-resistant brass with double EPDM-ASTM D 2000 M2 O-Rings to ensure a leak proof cold crimped seal with added protection against corrosion.

CimPRESS valves eliminate the torch and the need to clean, flux and solder in order to create a permanent watertight valve connection, significantly reducing average installation time while avoiding potential fire risks and other problems associated with sweat connections; saving time and money.

The CIM 218.1 is constructed with a lockable swivel nut to allow for easy and quick installation of a water meter or other appliance.

### Options:

Special features such as special fittings, locking handle, check valves, drain valves, and strainers can be included to further reduce installation time and improve safety.

### Connection:

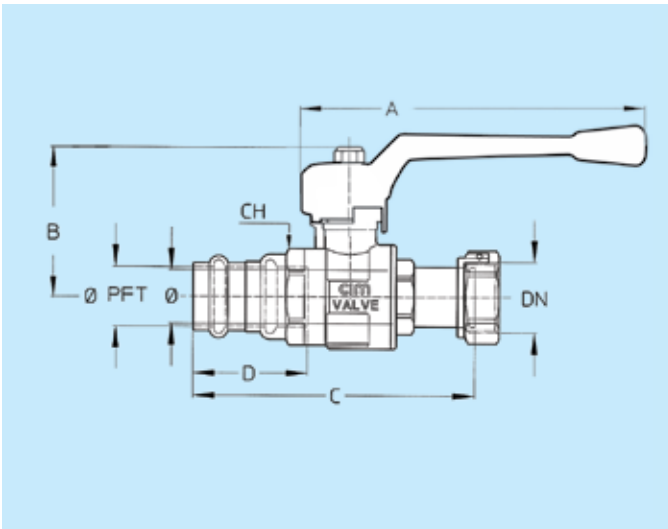
Standard press connection for copper and stainless steel tube plumbing systems x swivel nut ISO 228.

Size	Fast Order No.	Technical ID No.
1/2" x 3/4"	218-0406	CIM218-ES0406LH
3/4" x 3/4"	218-0606	CIM218-ES0606LH
3/4" x 1"	218-0607	CIM218-ES0607LH
1" x 1-1/4"	218-0708	CIM218-ES0708LH

# cimPRESS Water Meter Ball Valve

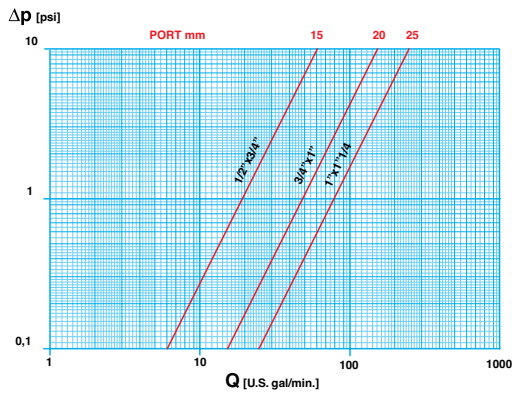
cim218.1

CimPRESS x FIPT Swivel Nut

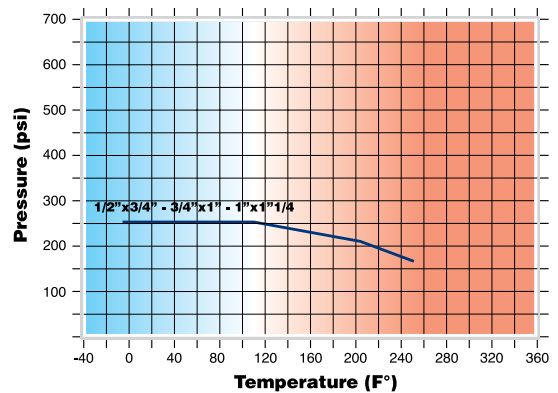


Size	1/2" x 3/4"	3/4" x 3/4"	3/4" x 1"	1" x 1-1/4"
Port inch	0.59"	0.79"	0.79"	0.98"
Port mm	15mm	20mm	20mm	25mm
A	3-5/16" 100mm	5-1/2" 140mm	5-1/2" 140mm	5-1/2" 140mm
B	2-1/16" 52mm	2-1/16" 52mm	2-3/16" 56mm	2-3/8" 60mm
C	3-7/8" 97.5mm	4" 101mm	4-3/16" 107mm	4-7/16" 112.5mm
D	1-9/16" 40mm	1-3/4" 44mm	1-3/4" 44mm	1-3/4" 44mm
CH	15/16" 24mm	1-1/4" 32mm	1-1/4" 32mm	1-1/2" 38mm
Pounds	0.72	1.09	1.09	1.47
Grams	325	495	495	670
Required Pipe Insertion Depth	1.5580" 39.57mm	1.7380" 44.14mm	1.7380" 44.14mm	1.7310" 43.97mm

## FLOW AND PRESSURE DROP



## PRESSURE/TEMPERATURE RATINGS



## CV CM CS MT

**CV:** Capacity in "U.S. gal/min" at pressure drop of "1 PSI"

**CM:** Working Torque in "lb x in"

**CS:** Starting Torque in "lb x in"

**MT:** Torque Breaking Point on the Stem in "lb x in"

**Element:** Water - Temperature: 59.9° F

	SIZE	1/2" x 3/4"	3/4" x 3/4"	3/4" x 1"	1" x 1-1/4"
218.1	Ø mm	15	20	20	25
	Ø inch	0.59	0.79	0.79	0.98
CV	gal/min	19.7	47.4	47.4	78.6
CM	N x m	3	5	5	6
	lb x in	27	44	44	53
CS	N x m	6	10	10	12
	lb x in	53	89	89	106
MT	N x m	10	24	24	24
	lb x in	89	213	213	213

**Working Pressure:** 250 PSI

**Max. Operating Temperature:** Working Limit for Fluids -4° F – 248° F

**Test Pressures:** According to ISO 5208