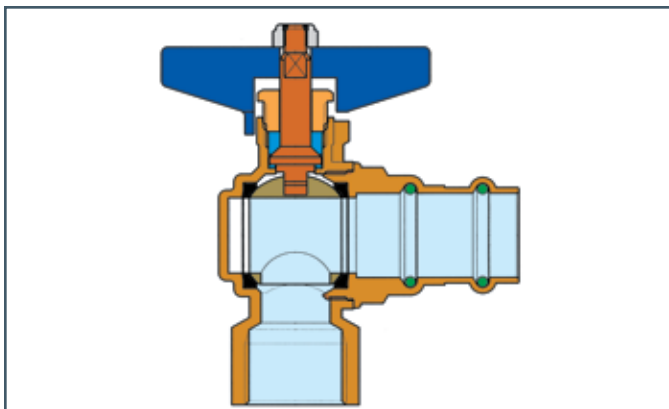
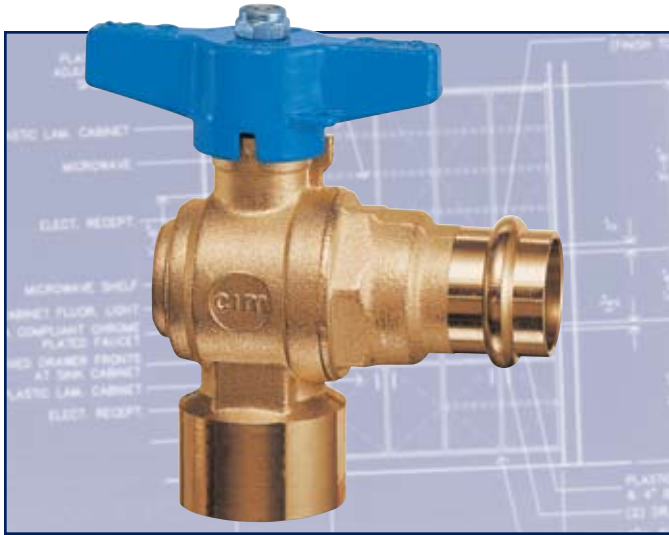


cimPRESS Full Port Ball Valve

cim215.1

CimPRESS x FIPT • Angle Model



Materials:

- **Body:** Hot Forged Brass ASTM C37700 (CuZn36Pb2As)
- **Ball:** Hot Forged Brass ASTM C37700 (CuZn36Pb2As), Machined to a Micro-Smooth Finish, Hard Chromium Plated
- **Ball Seats:** Conical Rings in P.T.F.E.
- **Stem Seal:** Rings in P.T.F.E.
- **O-Ring:** EPDM - ASTM D 2000 M2
- **Handle:** Aluminum
- **Nut:** Self-Locking Type, Steel ANSI C.1008.

Applications:

The CIM 215.1 CimPRESS ball valve is manufactured in accordance with MSS-SP-110, PS117-2004, and EN ISO 9001 standards and is designed for direct connection to hard drawn copper and/or stainless steel tube using standard press tools. The CIM 215.1 is suitable for use with non-aggressive fluid applications including residential, industrial, and agricultural systems. (CimPRESS is not intended for use with soft or rolled copper tubing)

Features:

CimPRESS valves were developed as purpose built valves for standard press attachment to eliminate the need to assemble separate components in the field, which could result in weak/leak points and increased material and labor costs. The CIM 215.1 is manufactured from DZR "CR" corrosion-resistant brass with double EPDM-ASTM D 2000 M2 O-Rings to ensure a leak proof cold crimped seal with added protection against corrosion.

CimPRESS valves eliminate the torch and the need to clean, flux and solder in order to create a permanent watertight valve connection, significantly reducing average installation time while avoiding potential fire risks and other problems associated with sweat connections; saving time and money.

The CimPRESS™ CIM 215.1 ball valve features an integrated design that combines the functions of an elbow, nipple, ball valve, and press-to-thread adaptor in one unit; making it ideal for tight spaces or as an individual shut-off.

Connection:

Standard press connection for copper and stainless steel tube plumbing systems x NPT threads ANSI B 1.20.1

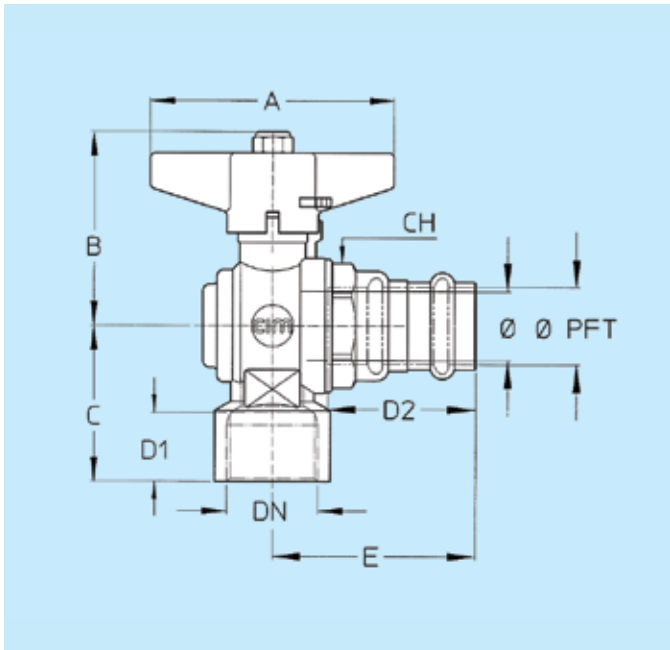
Size	Fast Order No.	Technical ID No.
3/4"	215-06	CIM215-AE06TH-AM
1"	215-07	CIM215-AE06TH-AM

All Cimberio valves qualify for the American Recovery and Reinvestment Act and the Buy American Act.

cimPRESS Full Port Ball Valve

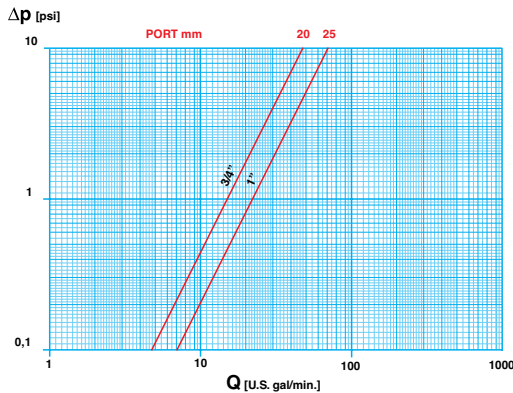
cim215.1

CimPRESS x FIPT • Angle Model



Size Port inch Port mm	3/4" 0.79" 20mm	1" 0.98" 25mm
A	2-3/4" 70mm	2-3/4" 70mm
B	2-3/16" 56mm	2-3/8" 60mm
C	1-3/4" 45mm	2" 50.5mm
D1	13/16" 20mm	13/16" 21mm
D2	1-3/4" 44mm	1-3/4" 44mm
E	2-3/8" 60mm	2-9/16" 65mm
CH	1-1/4" 32mm	1-1/2" 38mm
Pounds Grams	0.94 425	1.16 525
Required Pipe Insertion Depth	1.7380" 44.14mm	1.7310" 43.97mm

FLOW AND PRESSURE DROP



CV CM CS MT

CV: Capacity in "U.S. gal/min" at pressure drop of "1 PSI"

CM: Working Torque in "lb x in"

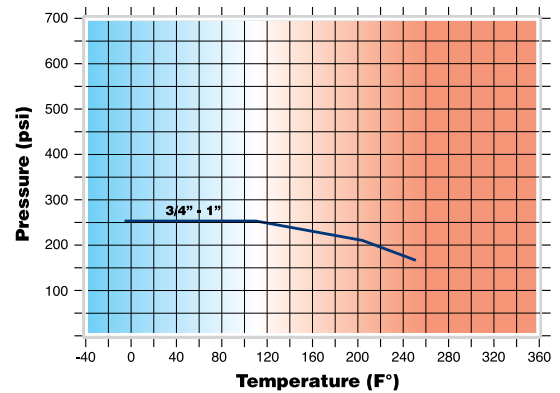
CS: Starting Torque in "lb x in"

MT: Torque Breaking Point on the Stem in "lb x in"

Element: Water - Temperature: 59.9° F

	SIZE	3/4"	1"
215.1	Ø mm Ø inch	20 0.79	25 0.98
CV	gal/min	15	22
CM	N x m lb x in	5 44	6 53
CS	N x m lb x in	10 89	12 106
MT	N x m lb x in	24 213	24 213

PRESSURE/TEMPERATURE RATINGS



Working Pressure: 250 PSI

Max. Operating Temperature: Working Limit for Fluids -4° F – 248° F

Test Pressures: According to ISO 5208