

Full Port Heavy Pattern Ball Valve

cim209M.1

Flat Handle • Compression x Compression • UL/CSA/AGA Listed

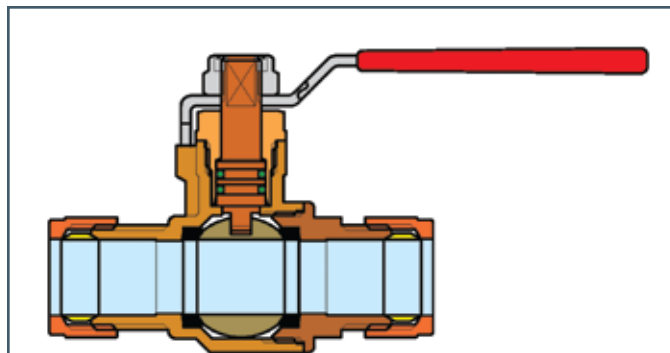


Applications:

The CIM 209M.1 ball valve is manufactured in accordance with EN ISO 9001 and is designed for use with non-aggressive fluids such as residential and commercial plumbing, heating, sanitary, industrial applications, agricultural systems, waterworks, saturated steam or high temperature hot water service, pneumatic systems, condensate lines, as well as oil, gasoline and other hydrocarbon services.

Features:

The CIM 209M.1 ball valve, which is built from the Cimberio CIM 11 building block, is a full port ball valve built with a heavy pattern body with compression ends and includes a unique blast proof/impact proof 3 part stem design that allows handle option flexibility. The standard CIM 209M.1 is equipped with a corrosion resistant coated flat steel handle with a PVC grip.



Materials:

- **Body:** Hot Forged Brass ASTM C37700
- **Adaptor and Compression Ends:** Hot Forged Brass ASTM C37700
- **Ball:** Brass, Machined to a Micro-Smooth Finish, Hard Chromium Plated
- **Cap Stem:** 36600 Bar Stock
- **Ball Seats:** Conical Rings in P.T.F.E.
- **Stem Seal:** Two O-Rings in FPM
- **Handle:** Corrosion Coat Rugged Steel with PVC Grip
- **Nut:** Self-Locking Type, Steel ANSI C.1008.

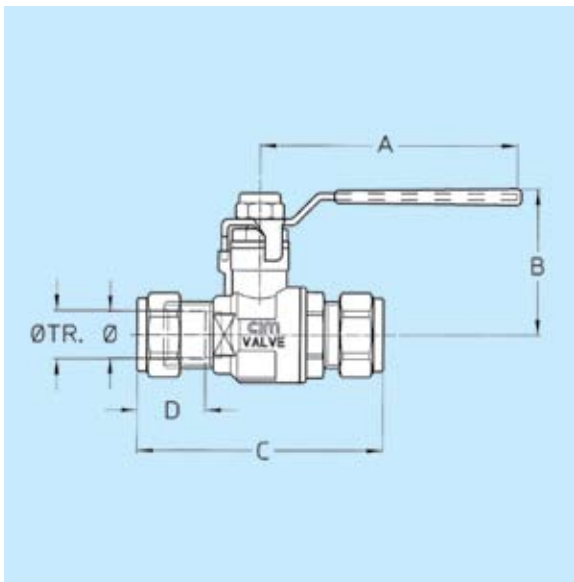
Size	Fast Order No.	Technical ID No.
1/2"	209-04	CIM209-D04FH
3/4"	209-06	CIM209-D06FH
1"	209-07	CIM209-D07FH

All Cimberio valves qualify for the American Recovery and Reinvestment Act and the Buy American Act.

Full Port Heavy Pattern Ball Valve

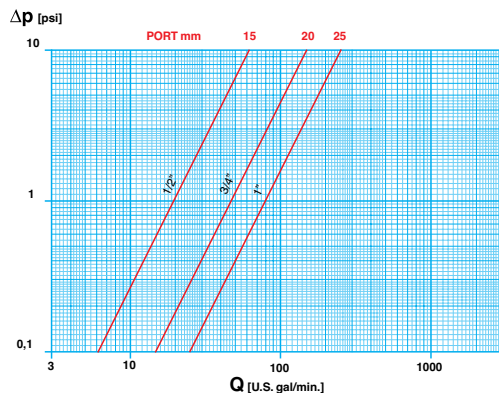
cim209M.1

Flat Handle • Compression x Compression • UL/CSA/AGA Listed

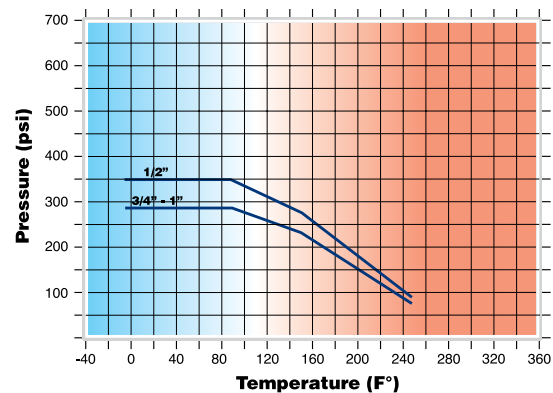


Size	1/2"	3/4"	1"
Ø Copper Pipe inch	0.59"	0.87"	1.1"
Ø Copper Pipe mm	15mm	22mm	28mm
Port inch	0.57"	0.79"	0.98"
Port mm	14.5mm	20mm	25mm
A	3-1/8" 80mm	3-15/16" 100mm	3-15/16" 100mm
B	1-13/16" 46mm	2-1/16" 53mm	2-1/4" 57mm
C	3-1/16" 77mm	3-7/16" 87mm	3-3/4" 95mm
D	7/8" 21.5mm	1" 25mm	1" 26mm
CH1	15/16" 24mm	1-1/4" 32mm	1-9/16" 39mm
CH2	15/16" 24mm	1-1/4" 32mm	1-9/16" 39mm
Pounds	0.56	0.93	1.38
Grams	255	420	625

FLOW AND PRESSURE DROP



PRESSURE/TEMPERATURE RATINGS



CV CM CS MT

CV: Capacity in "U.S. gal/min" at pressure drop of "1 PSI"

CM: Working Torque in "lb x in"

CS: Starting Torque in "lb x in"

MT: Torque Breaking Point on the Stem in "lb x in"

Element: Water - Temperature: 59.9° F

	SIZE	1/2"	3/4"	1"
209M.1	Ø mm	15	20	25
	Ø inch	0.59	0.79	0.98
CV	gal/min	19.7	47.4	78.7
CM	N x m lb x in	3 27	5 44	6 53
CS	N x m lb x in	6 53	10 89	12 106
MT	N x m lb x in	10 89	24 213	24 213

Working Pressure: 1/2" : 348 PSI

3/4" - 1" : 290 PSI

Max. Operating Temperature: Working Limit for Fluids -4° F - 248° F

Test Pressures: According to ISO 5208

Vacuum: the CIM 209M.1 Ball Valve can be used for Vacuum:
2x10⁻⁵ PSI