

# Full Port Standard Pattern Ball Valve

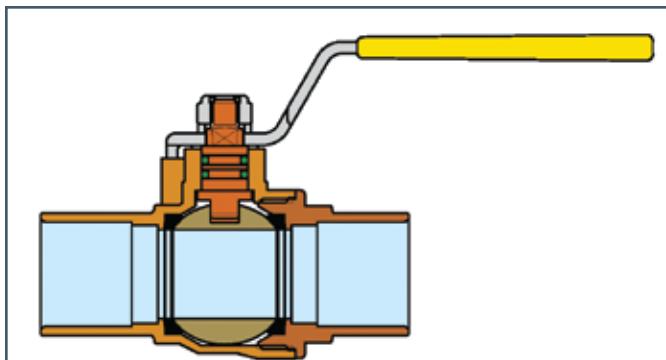
**cim17.2**

Flat Handle • Copper x Copper • UL/CSA/AGA Listed



## Applications:

The CIM 17.2 ball valve is manufactured in accordance with EN ISO 9001 and is designed for use with non aggressive fluids. Applications include: residential and commercial plumbing, industrial applications, agricultural systems, waterworks, high temperature hot water services, and condensate lines.



## Materials:

- **Body:** Hot Forged Brass ASTM C37700
- **Adaptor:** Hot Forged Brass ASTM C37700
- **Ball:** Brass, Machined to a Micro-Smooth Finish, Hard Chromium Plated
- **Stem:** 36600 Bar Stock
- **Ball Seats:** Conical Rings in P.T.F.E.
- **Stem Seal:** Two O-Rings in NBR
- **Handle:** Steel with PVC Grip
- **Nut:** Self-Locking Type, Steel ANSI C.1008.

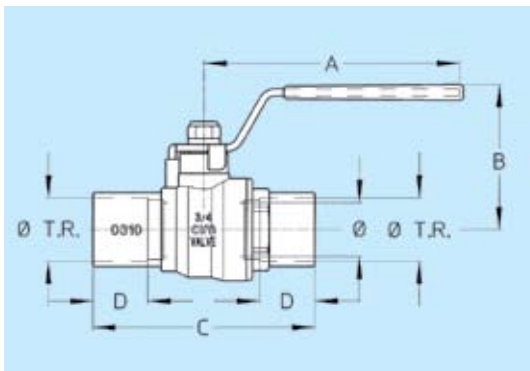
Size	Fast Order No.	Technical ID No.
1/2"	17CC-04	CIM17-C04FH
3/4"	17CC-06	CIM17-C06FH
1"	17CC-07	CIM17-C07FH
1-1/4"	17CC-08	CIM17-C08FH
1-1/2"	17CC-09	CIM17-C09FH
2"	17CC-10	CIM17-C10FH
2-1/2"	17CC-11	CIM17-C11FH
3"	17CC-12	CIM17-C12FH
4"	17CC-14	CIM17-C14FH

All Cimberio valves qualify for the American Recovery and Reinvestment Act and the Buy American Act.

# Full Port Standard Pattern Ball Valve

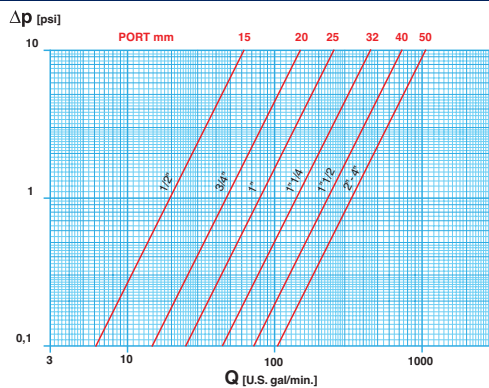
**cim17.2**

Flat Handle • Copper x Copper • UL/CSA/AGA Listed

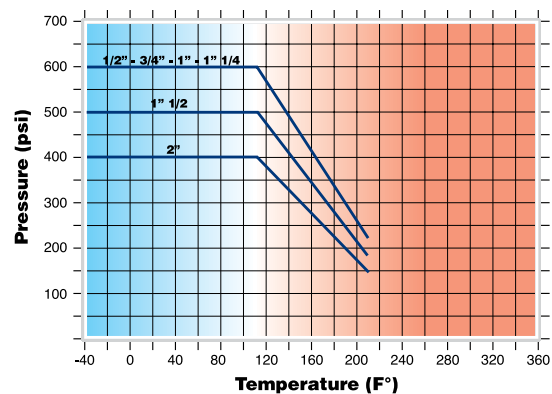


Size Port inch Port mm	1/2" 0.55" 14mm	3/4" 0.75" 19mm	1" 0.94" 24mm	1-1/4" 1.18" 30mm	1-1/2" 1.46" 37mm	2" 1.85" 47mm	2-1/2" 2.48" 63mm	3" 2.99" 76mm	4" 4.11" 104mm
A	3-9/16" 90mm	3-9/16" 90mm	4-5/16" 110mm	4-5/16" 110mm	5-15/16" 150mm	5-15/16" 150mm	8-1/2" 206mm	9-7/16" 240mm	10-1/4" 260mm
B	1-13/16" 46.5mm	2" 51mm	2-3/16" 55mm	2-3/8" 60mm	3-1/16" 78mm	3-3/8" 85mm	5-15/16" 151mm	6-3/4" 171mm	6-3/8" 162mm
C	2-3/16" 55mm	3-1/16" 78.5mm	3-9/16" 91mm	4" 102mm	4-3/4" 120mm	5-3/4" 145mm	5-15/16" 151mm	6-3/4" 171mm	10-1/4" 260mm
D	1/2" 13mm	3/4" 19.5mm	15/16" 23mm	1" 25mm	1-1/8" 28mm	1-3/8" 34mm	1-1/16" 27mm	1-1/8" 28mm	2-1/8" 54mm
Pounds Grams	0.35 160	0.60 270	0.89 405	1.29 585	2.07 940	3.28 1490	9.38 4060	13.69 6210	24.7 11,203

## FLOW AND PRESSURE DROP



## PRESSURE/TEMPERATURE RATINGS



## CV CM CS MT

**CV:** Capacity in "U.S. gal/min" at pressure drop of "1 PSI"

**CM:** Working Torque in "lb x in"

**CS:** Starting Torque in "lb x in"

**MT:** Torque Breaking Point on the Stem in "lb x in"

**Element:** Water - Temperature: 59.9° F

**Working Pressure:** 1/4" – 1-1/4" : 600 PSI

1-1/2" : 500 PSI

2" : 400 PSI

2-1/2" – 4" : 600 PSI

**Max. Operating Temperature:** Working Limit for Fluids -40° F – 212° F

**Test Pressures:** According to ISO 5208

**Vacuum:** the CIM 17.2 Ball Valve can be used for Vacuum: 2x10<sup>-5</sup> PSI

17.2	SIZE	1/2"	3/4"	1"	1-1/4"	1-1/2"	2"	2-1/2"	3"	4"
	Ø mm	15	20	25	32	40	50	63	76	100
	Ø inch	0.59	0.79	0.98	1.26	1.57	1.97	2.48	2.99	3.94
CV	gal/min	19.7	47.4	78.7	142.3	229.1	335.4	601.5	983.1	1582
CM	N x m	3	5	6	7	10	13	16	20	30
	lb x in	27	44	53	62	89	115	142	177	266
CS	N x m	6	10	12	14	20	26	32	40	60
	lb x in	53	89	106	124	177	230	283	354	531
MT	N x m	20	24	26	26	80	80	280	280	550
	lb x in	177	213	230	230	709	709	2480	2480	4872