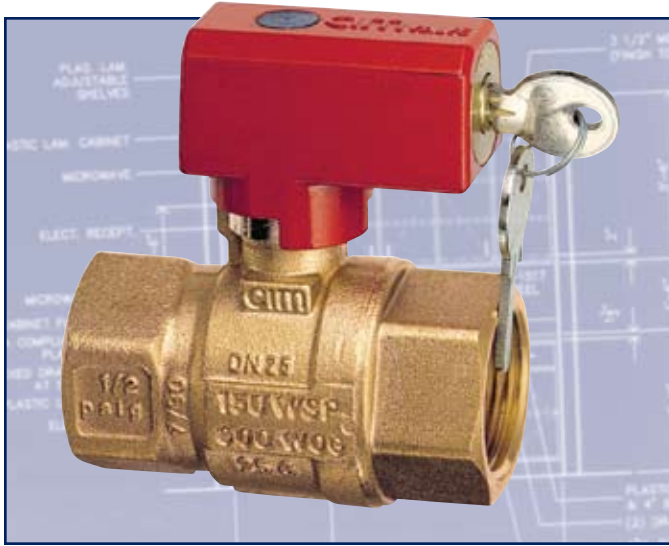


Full Port Ball Valve with Key Locking Handle

cim12SI.1

FIPT x FIPT



Applications:

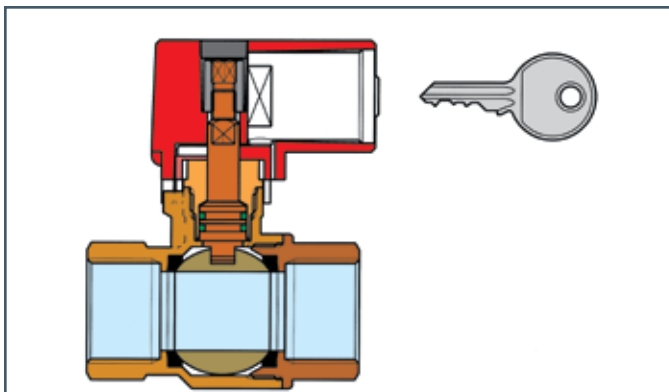
The CIM 12SI.1 ball valve is manufactured in accordance with EN ISO 9001 and is designed with a locking handle. Applications include non-aggressive fluids and gases for residential and commercial plumbing, industrial applications, agricultural systems, waterworks, saturated steam or high temperature hot water services, condensate lines, as well as oil, gasoline and other hydrocarbon services.

Features:

The CIM 12SI.1 ball valve, which is built from the Cimberio CIM 11 building block, is a full port ball valve built with a heavy pattern body that offers increased thread depth, and includes a unique blast proof/impact proof 3 part stem design. The CIM 12SI.1 also features a locking handle that will operate in either the open or closed position. The locking handle is available in 12 different lock configurations and can be master keyed.

Threading:

NPT threads ANSI B1.20.1.



Materials:

- **Body:** Hot Forged Brass ASTM C37700
- **Adaptor:** Hot Forged Brass ASTM C37700
- **Ball:** Brass, Machined to a Micro-Smooth Finish, Hard Chromium Plated
- **Cap Stem:** 36600 Bar Stock
- **Ball Seats:** Conical Rings in P.T.F.E.
- **Stem Seal:** Two O-Rings in FPM.
- **Handle:** Hard Duraluminum Alloy Painted RED RAL 3000
- **Nut:** Self-Locking Type, Steel ANSI C.1008.

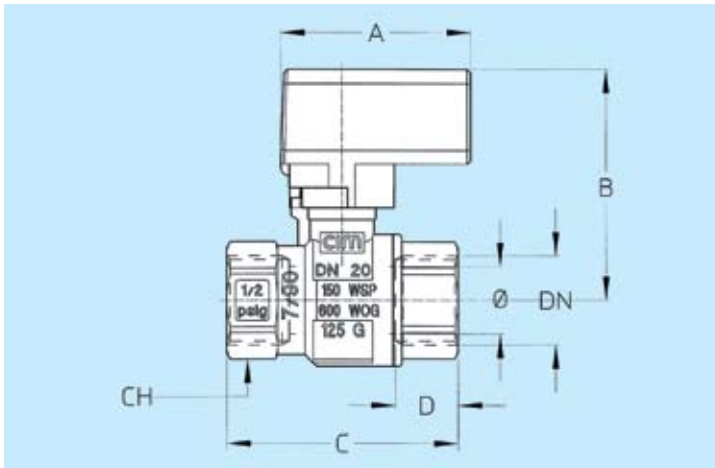
All Cimberio valves qualify for the American Recovery and Reinvestment Act and the Buy American Act.

Size	Fast Order No.	Technical ID No.
1/2"	12SI-04	CIM12SI-A04LH
3/4"	12SI-06	CIM12SI-A06LH
1"	12SI-07	CIM12SI-A07LH

Full Port Ball Valve with Key Locking Handle

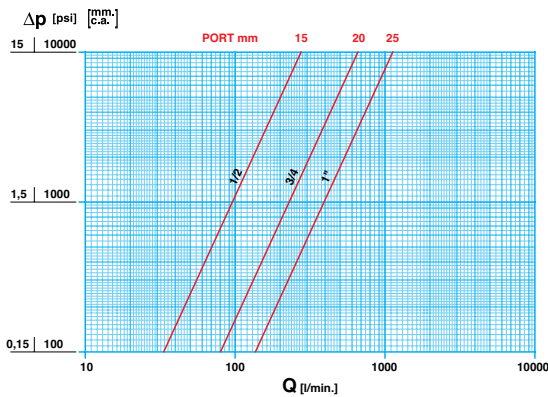
cim12SI.1

FIPT x FIPT

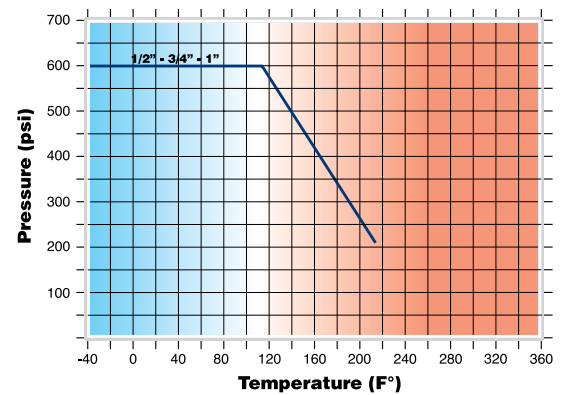


Size Port inch Port mm	1/2" 0.59" 15mm	3/4" 0.79" 20mm	1" 0.98" 25mm
A	2-3/16" 56mm	2-3/16" 56mm	2-3/16" 56mm
B	2-1/2" 64mm	2-11/16" 68mm	2-13/16" 72mm
C	2-7/16" 61mm	2-11/16" 68mm	3-1/4" 82mm
D	11/16" 17mm	3/4" 18.5mm	13/16" 21mm
CH	1" 25mm	1-1/4" 31mm	1-9/16" 40mm
Pounds Grams	0.88 400	1.17 530	1.71 775

FLOW AND PRESSURE DROP



PRESSURE/TEMPERATURE RATINGS



CV CM CS MT

CV: Capacity in "U.S. gal/min" at pressure drop of "1 PSI"

CM: Working Torque in "lb x in"

CS: Starting Torque in "lb x in"

MT: Torque Breaking Point on the Stem in "lb x in"

Element: Water - Temperature: 59.9° F

12SI.1	SIZE	1/2"	3/4"	1"
	Ø mm	15	20	25
	Ø inch	0.59	0.79	0.98
CV	gal/min	19.7	47.4	78.7
CM	N x m	3	4	5
	lb x in	27	35	44
CS	N x m	6	10	12
	lb x in	53	89	106
MT	N x m	18	28	28
	lb x in	159	248	248

Working Pressure: 600 PSI

Max. Operating Temperature: Working Limit for Fluids -40° F – 212° F

Test Pressures: According to ISO 5208

Vacuum: CIM 12SI.1 Ball Valves can be used for Vacuum: 2x10⁻⁵ PSI