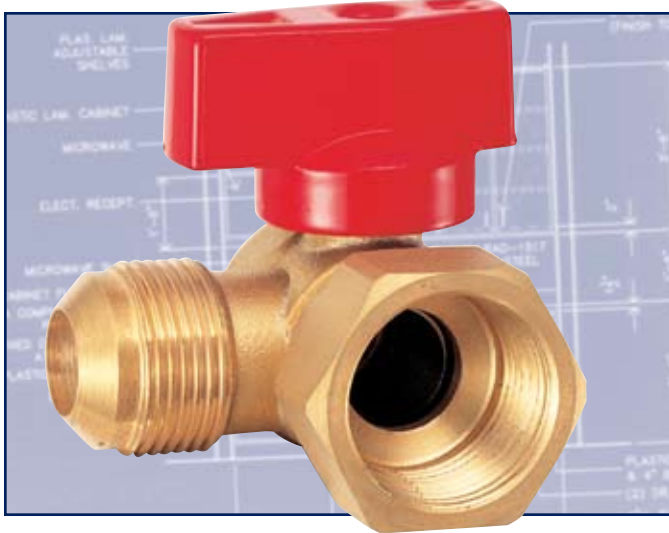


# Ball Valve for Gas Service

cim105.1

FIPT x Flare • Angle Model • UL/CSA/AGA Listed



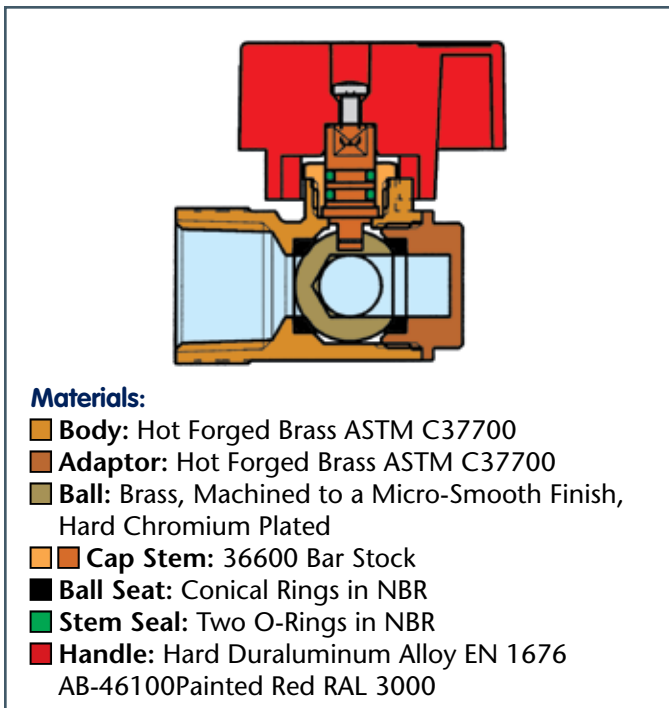
## Applications:

The CIM 105.1 ball valve is manufactured in accordance with EN ISO 9001 and is designed for use with gases. Applications include residential and commercial use for the distribution of natural gas and propane.

## Features:

The CIM 105.1 gas valve features a two piece design and includes a unique blast proof/impact proof 3 part stem design that allows handle option flexibility.

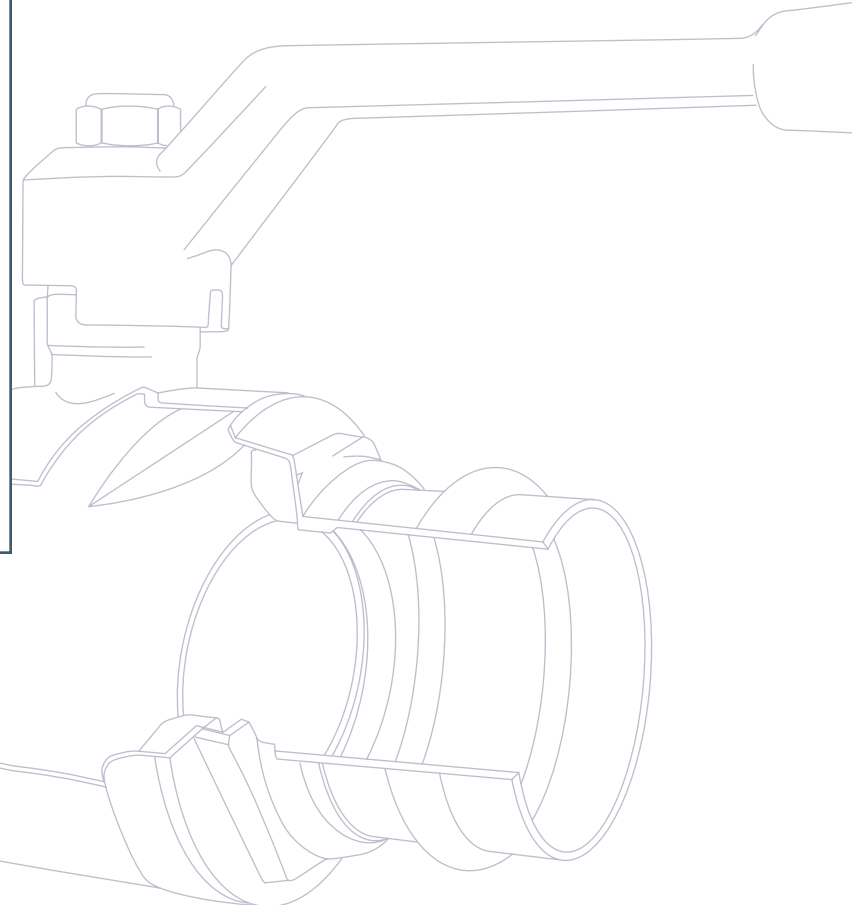
Size	Fast Order No.	Technical ID No.
1/2" x 3/8"	105-0304	CIM105-GA0304TH-AM
3/4" x 5/8"	105-0506	CIM105-GA0506TH-AM



## Materials:

- Body:** Hot Forged Brass ASTM C37700
- Adaptor:** Hot Forged Brass ASTM C37700
- Ball:** Brass, Machined to a Micro-Smooth Finish, Hard Chromium Plated
- Cap Stem:** 36600 Bar Stock
- Ball Seat:** Conical Rings in NBR
- Stem Seal:** Two O-Rings in NBR
- Handle:** Hard Duraluminum Alloy EN 1676 AB-46100Painted Red RAL 3000

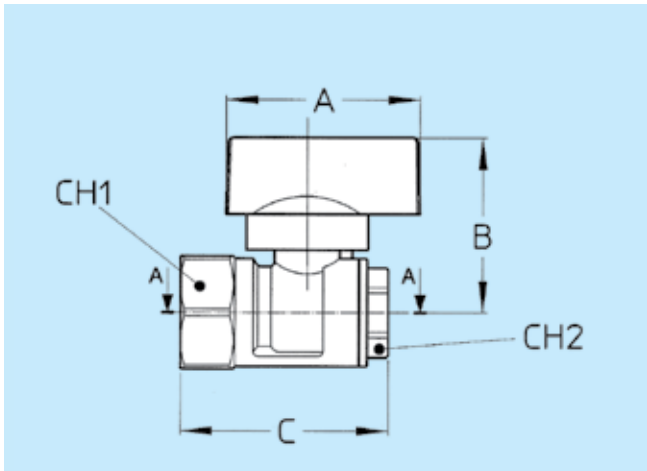
All Cimberio valves qualify for the American Recovery and Reinvestment Act and the Buy American Act.



# Ball Valve for Gas Service

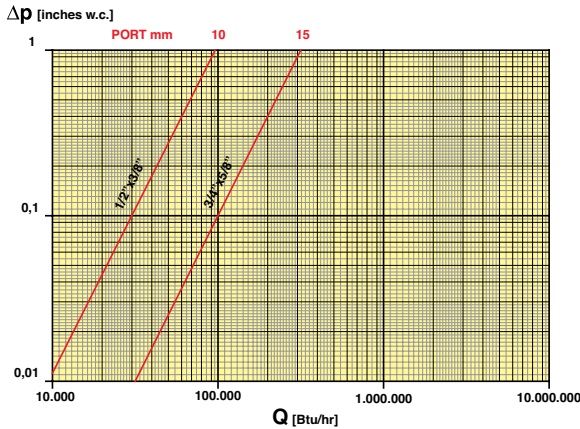
**cim105.1**

FIPT x Flare • Angle Model • UL/CSA/AGA Listed

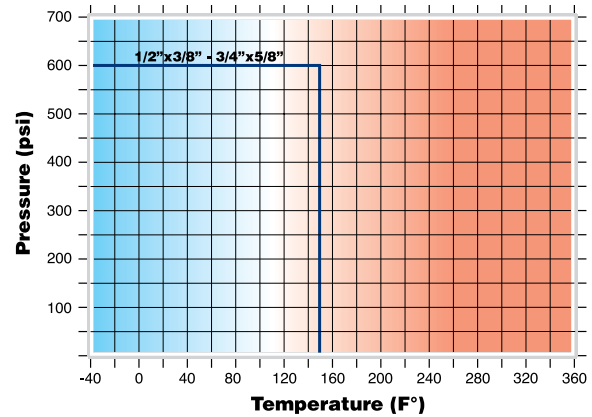


Size	1/2"	3/4"
FL	3/8"	5/8"
Port inch	0.39"	0.59"
Port mm	10mm	15mm
A	1-11/16" 43mm	1-11/16" 43mm
B	1-9/16" 39mm	1-5/8" 41.5mm
C	1-13/16" 46mm	2-1/16" 51.5mm
CH1	1" 25mm	1-1/4" 31.5mm
CH2	3/4" 18mm	13/16" 21mm
Pounds	0.35	0.57
Grams	158	258

## FLOW AND PRESSURE DROP



## PRESSURE/TEMPERATURE RATINGS



## FC CM CS MT

**FC:** Capacity is determined by the quantity in BTU/h of a gas of 0.64 SG which can be passed with a pressure drop equal to 0.3" water column

**CM:** Working Torque in "lb x in"

**CS:** Starting Torque in "lb x in"

**MT:** Torque Breaking Point on the Stem in "lb x in"

**Element:** Gas - Specific Gravity: 0.64

	SIZE x FL	1/2" x 3/8"	3/4" x 5/8"
105.1	Ø mm	10	15
	Ø inch	0.39	0.59
FC	BTU/h	51,352	171,710
CM	N x m	0.3	0.4
	lb x in	3	4
CS	N x m	1	1
	lb x in	9	9
MT	N x m	6	6
	lb x in	53	53

**Working Pressure:** 5 PSI

**Max. Operating Temperature:** Working Limit for Fluids -40° F – 150° F

**Test Pressures:** According to ISO 5208