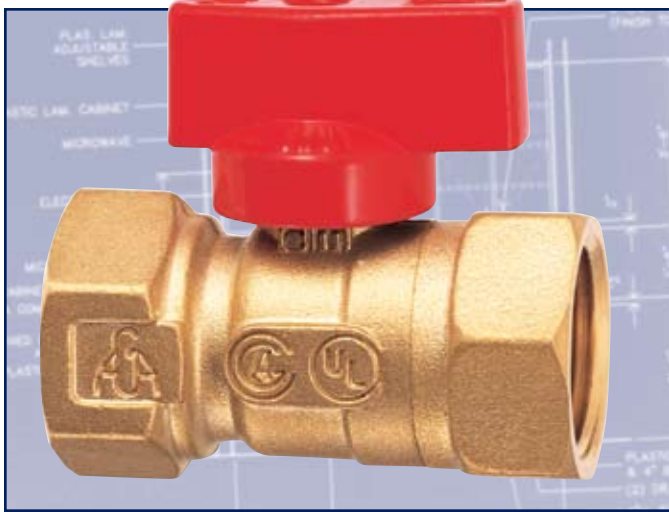


Ball Valve for Gas Service

cim102.1

FIPT x FIPT • UL/CSA/AGA Listed



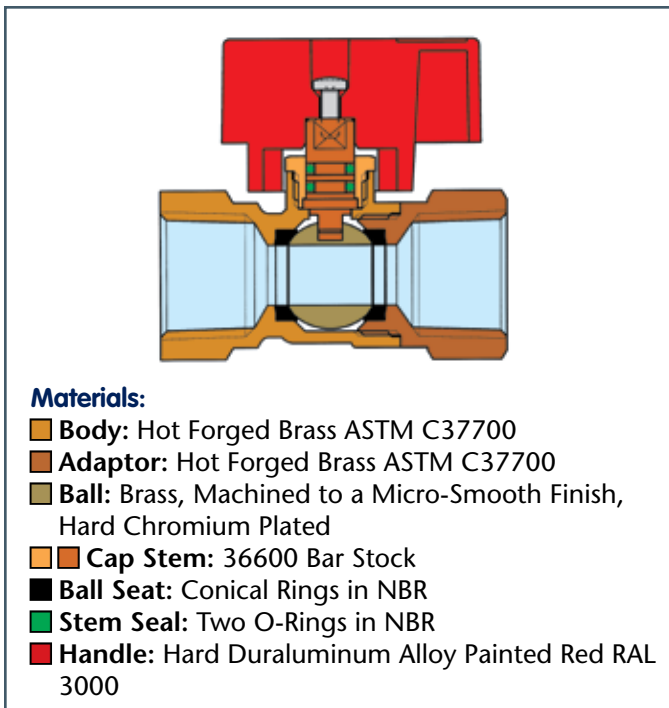
Applications:

The CIM 102.1 ball valve is manufactured in accordance with EN ISO 9001 and is designed for use with gases. Applications include residential and commercial use for the distribution of natural gas and propane.

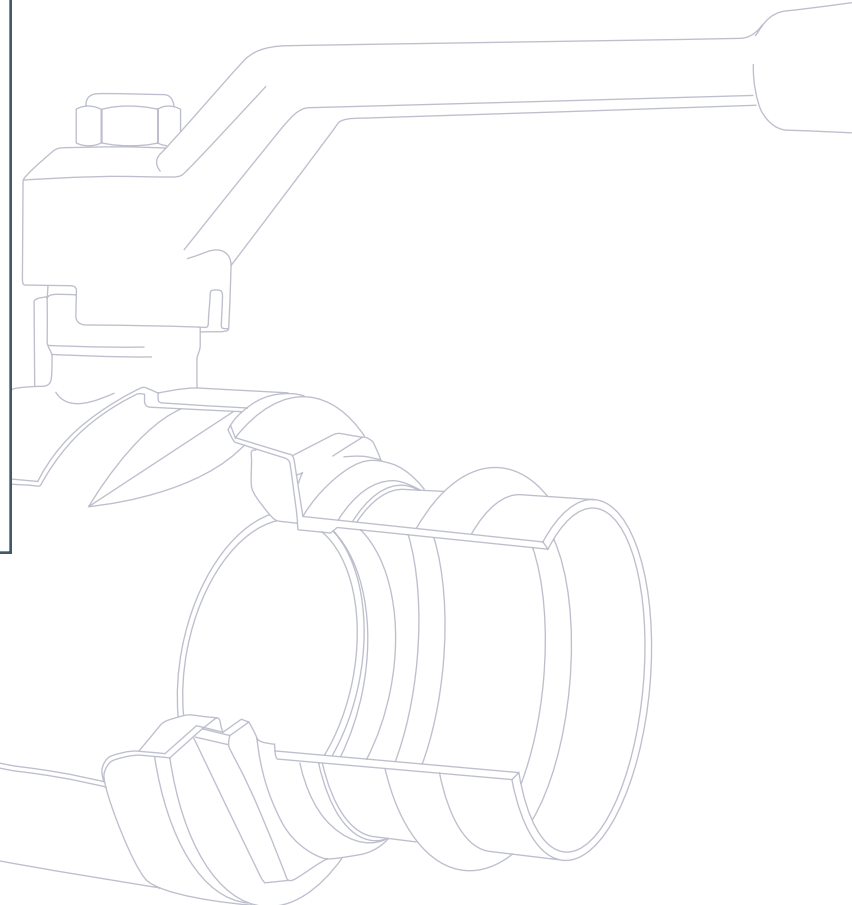
Features:

The CIM 102.1 gas valve features a two piece design and includes a unique blast proof/impact proof 3 part stem design that allows handle option flexibility.

Size	Fast Order No.	Technical ID No.
3/8"	102-03	CIM102-A03TH
1/2"	102-04	CIM102-A04TH
3/4"	102-06	CIM102-A06TH



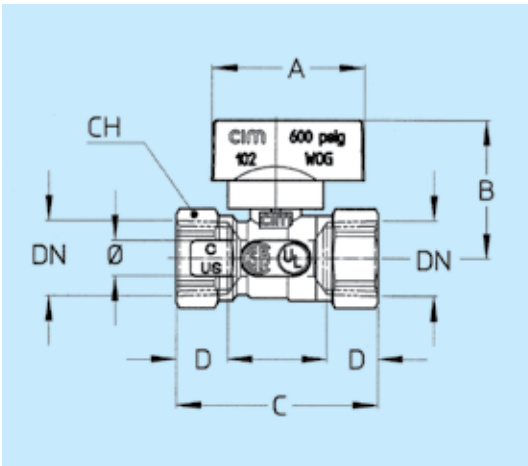
All Cimberio valves qualify for the American Recovery and Reinvestment Act and the Buy American Act.



Ball Valve for Gas Service

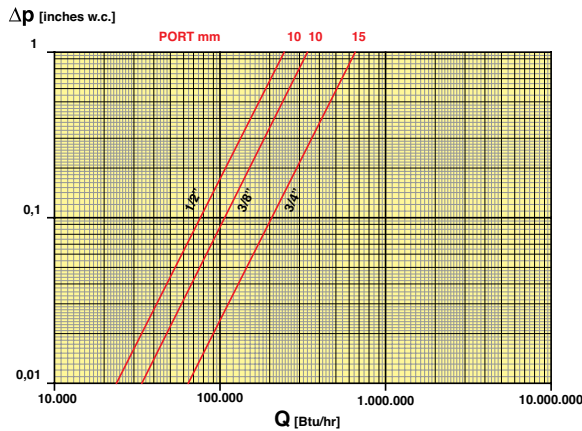
cim102.1

FIPT x FIPT • UL/CSA/AGA Listed

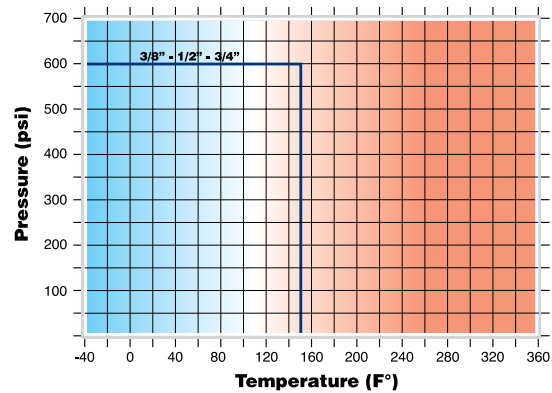


Size Port inch Port mm	3/8" 0.39" 10mm	1/2" 0.39" 10mm	3/4" 0.59" 15mm
A	1-11/16" 43mm	1-11/16" 43mm	1-11/16" 43mm
B	1-9/16" 39mm	1-9/16" 39mm	1-5/8" 41.5mm
C	1-7/8" 47mm	2-1/4" 57mm	2-1/2" 63mm
D	1/2" 12.5mm	5/8" 15.5mm	5/8" 16mm
CH	13/16" 20mm	1" 25mm	1-1/4" 31.5mm
Pounds Grams	0.28 125	0.35 160	0.54 245

FLOW AND PRESSURE DROP



PRESSURE/TEMPERATURE RATINGS



FC CM CS MT

FC: Capacity is determined by the quantity in BTU/h of a gas of 0.64 SG which can be passed with a pressure drop equal to 0.3" water column

CM: Working Torque in "lb x in"

CS: Starting Torque in "lb x in"

MT: Torque Breaking Point on the Stem in "lb x in"

Element: Gas - Specific Gravity: 0.64

	SIZE	3/8"	1/2"	3/4"
102.1	Ø mm	10	10	15
	Ø inch	0.39	0.39	0.59
FC	BTU/h	188,600	139,000	352,000
CM	N x m	0.3	0.3	0.4
	lb x in	3	3	4
CS	N x m	1	1	1
	lb x in	9	9	9
MT	N x m	6	6	6
	lb x in	53	53	53

Working Pressure: 600 PSI

Max. Operating Temperature: Working Limit for Fluids -40° F – 302° F

Test Pressures: According to ISO 5208